

# Swivel Sweeper<sup>®</sup> MAX

U.S. Patent No. 7,152,267  
U.S. Patent No. 7,340,795  
U.S. Patent No. 7,591,039  
Add. Pat. Pending

Distributed by

Thane Direct Canada Inc.  
Mississauga, ON L4W 5M6,  
Canada  
[www.thane.ca](http://www.thane.ca)

Thane Direct UK Ltd.  
WC2A 3LH  
[www.thanedirect.co.uk](http://www.thanedirect.co.uk)

Danoz Direct Pty Ltd  
Alexandria, Sydney  
NSW 2015, Australia  
[www.danozdirect.com.au](http://www.danozdirect.com.au)



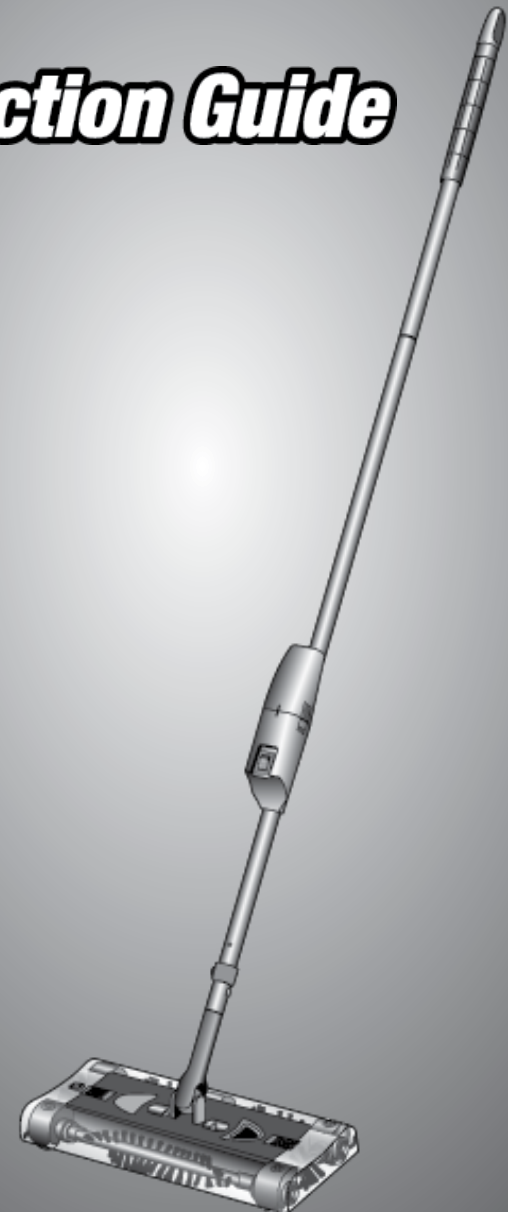
Fairfield, NJ 07004  
Made In China

© 2013 Ontel Products Corporation. All Rights Reserved.


SwivelSweeperMAX MNL ENG R1 130117


# Swivel Sweeper<sup>®</sup> MAX

## Instruction Guide





Congratulations and thank you for purchasing the Cordless  the quick & agile floor and carpet sweeper that lets you clean dirt and messes faster and easier than ordinary cordless sweepers.

**The Secret:**  combines the cleaning power of Quad-Brush® Technology – powerful rotating cleaning brushes pick up dirt and messes from all four sides of the sweeper head – with a 360° swivel feature to easily maneuver around furniture and other objects. It has an extended pole, is super-lightweight and it's bagless too!

 glides effortlessly on four gentle floor super sliders while its low-profile design lets you get under couches, beds and other furniture with ease. Now including a Touchless Dirt Tray – just push tabs to quickly empty dirt & debris without getting your hands dirty – and Removable Brush Heads – that make brush maintenance simple and easy!

## BASIC TROUBLESHOOTING:

### 1. Swivel Sweeper® MAX is sluggish or won't start:

Make sure the battery is fully charged and securely inserted into the "Battery Compartment," and that the pole section with the "Battery Compartment" is securely connected to the "Pole Base." Check the "Rotating Cleaning Brushes" to make sure they are not entangled with hair, debris, etc.

### 2. Battery not charging:

Make sure that the "Rechargeable Battery" is fully inserted into the "Battery Charger." Also, check to make sure that the red indicator light on the "Battery Charger" comes on when charging.

### 3. Rotating Brushes become bound and Sweeper shuts off:

See "Automatic Shut-Off Feature" instructions on pg. 6.

### 4. Swivel Sweeper® MAX operating but not picking up mess:

The "Touchless Dirt Tray" may be full. Empty out if necessary (see Emptying The Touchless Dirt Tray Instructions on Pg. 6). Also, some debris may be lodged in carpeting (such as staples) or may be too large/heavy for the Sweeper to pick up. Make sure the "Touchless Dirt Tray" is fully closed.

### 5. Dirt & Debris escaping from sweeper during cleaning:

Make sure the "Touchless Dirt Tray" is empty and securely connected to the Sweeper. Also, check to see that the "Rotating Cleaning Brushes" are not entangled with debris such as hair, paper, etc. Remove and clean Brushes as necessary (See Maintenance and Care page 7-8).

## SAFETY PRECAUTIONS:

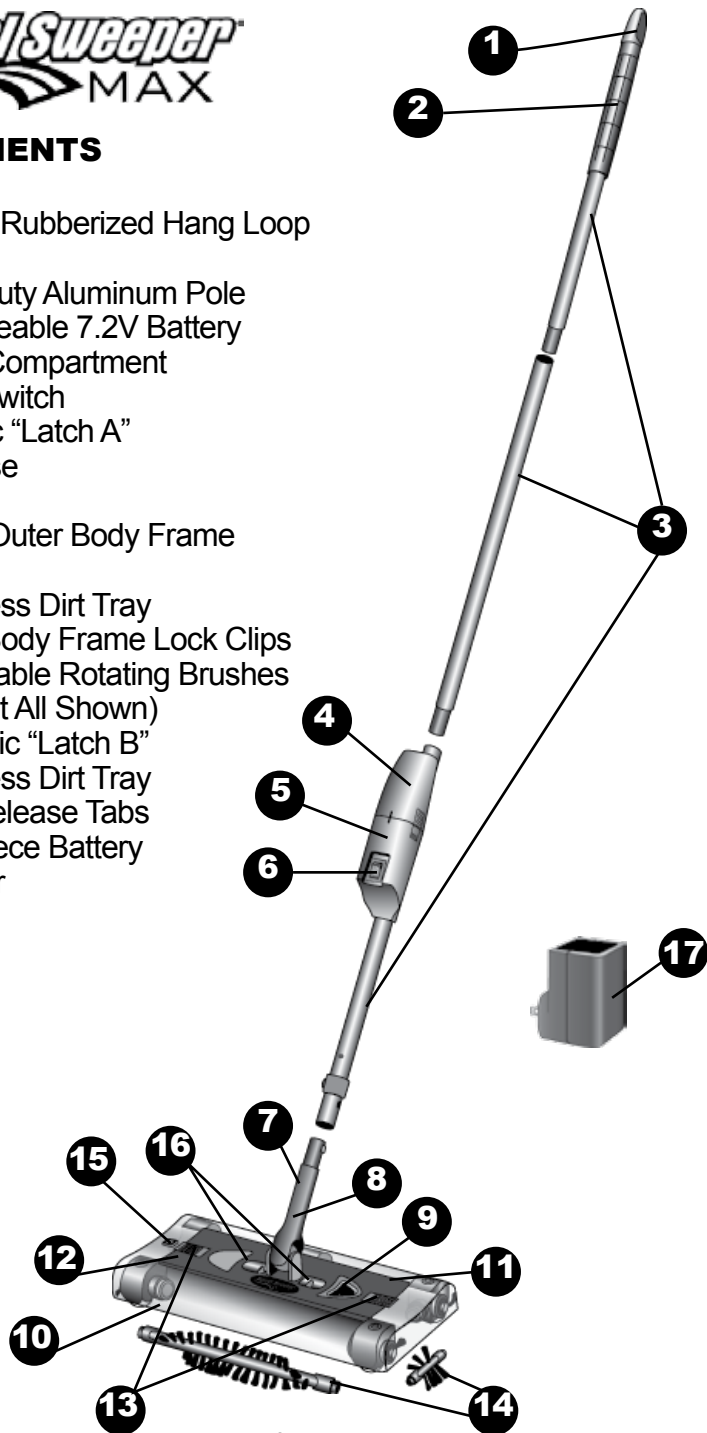
**MAKE SURE TO COMPLETELY READ AND UNDERSTAND ALL OF THE FOLLOWING SAFETY INSTRUCTIONS AND WARNINGS IN THIS BOOKLET & ON THE BATTERY CHARGER, PRIOR TO USING SWIVEL SWEEPER® MAX.**

- Make sure Swivel Sweeper® MAX is securely assembled before use.
- Never use Swivel Sweeper® MAX to clean up liquids or wet messes. Especially do not use on flammable or combustible liquids.
- Swivel Sweeper® MAX contains a rechargeable 7.2V Ni-MH (Nickel-Metal Hydride) battery. Always dispose of battery properly.
- Keep fingers, hair, all other body parts and clothing away from the rotating cleaning brushes.
- Do NOT use Swivel Sweeper® MAX to clean up any burning or lighted materials such as cigarettes, matches and ashes.
- Do NOT use on coarse, concrete surfaces.
- Do NOT use outdoors: patios, decks or rough surfaces.
- Swivel Sweeper® MAX's mechanical parts are not userserviceable. Contact a qualified professional for service.
- Make sure Swivel Sweeper® MAX is turned off and that the battery is removed, before cleaning its rotating brushes of hair, debris, etc.
- Do NOT handle or charge battery when hands are wet.
- Only use the included charger to charge Swivel Sweeper® MAX's battery.
- Store your Swivel Sweeper® MAX indoors in a dry, safe place.



## COMPONENTS

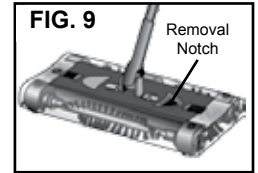
1. Rotating Rubberized Hang Loop
2. Handle
3. Heavy Duty Aluminum Pole
4. Rechargeable 7.2V Battery
5. Battery Compartment
6. On/Off Switch
7. Magnetic "Latch A"
8. Pole Base
9. Air Filter
10. Tinted Outer Body Frame
11. Base
12. Touchless Dirt Tray
13. Outer Body Frame Lock Clips
14. Removable Rotating Brushes (x 5, Not All Shown)
15. Magnetic "Latch B"
16. Touchless Dirt Tray Lock/Release Tabs
17. One-Piece Battery Charger



## IMPORTANT MAINTENANCE & CARE:

**Step 6)** Lift the "Air Filter" up & out by its "Removal Notch" (SEE FIG. 9). Rinse the "Air Filter" off, let dry and replace back into sweeper.

Periodically wipe down your Swivel Sweeper with a dry or damp lint-free cloth. Do not use water, liquid cleansers or abrasive materials to clean Swivel Sweeper.



## MAGNETIC LATCH SYSTEM FOR SPACE-SAVING STORAGE:

*Swivel Sweeper's Magnetic Latch System lets you store your Sweeper in a compact manner between uses.*

### Storing Swivel Sweeper Between Uses:

**IMPORTANT:** When you are finished cleaning with Swivel Sweeper, empty out the "Touchless Dirt Tray," close it, then flip the sweeper head up to the side of the "Pole Base" to engage the two "Magnetic Latches," for space-saving storage between uses (SEE FIG. 10).

To release the Sweeper head from the "Pole Base," gently tap it down.

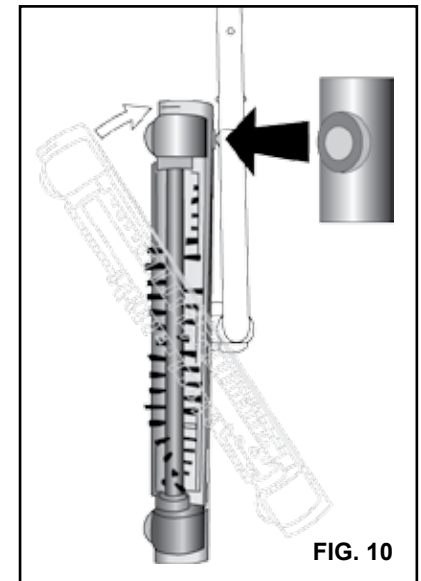
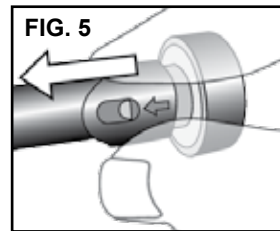


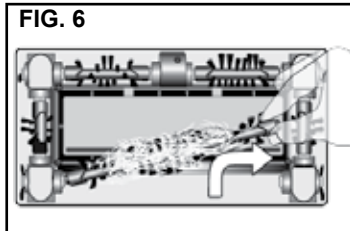
FIG. 10

## IMPORTANT MAINTENANCE & CARE:

As with any rotating brush cleaning device, Swivel Sweeper's four cleaning brushes will accumulate fine debris such as hair, thread and other particles. To maintain optimal sweeper performance, clean the sweeper's rotating brushes of hair and debris and its "Air Filter" of dust and dirt as necessary following the directions below.

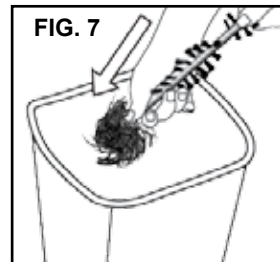


**Step 1)** Make sure the Swivel Sweeper is turned OFF and remove the battery to ensure unit does not accidentally turn on.



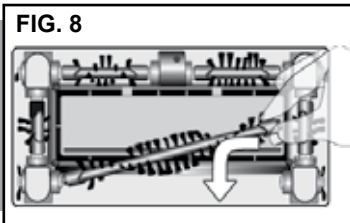
**Step 2)** Turn Swivel Sweeper Max® upside down to allow for easy access to the removable brush heads.

**Step 3)** Locate the brush head with tangled debris. Remove the brush head by pressing inward – in the direction of the arrow – to release one side of the brush head from the Sweeper base, (SEE FIG. 5) and then upward and away from the sweeper (SEE FIG. 6).

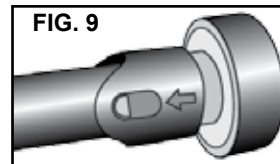


**Step 4)** Remove the tangled debris by pulling it away from the brush head or scraping with a utensil (not provided) (SEE FIG. 7).

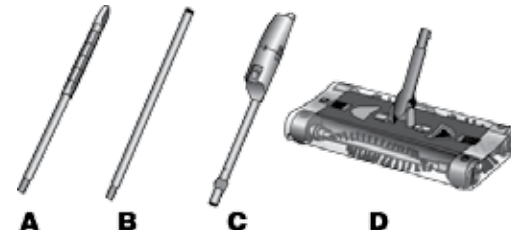
**CAUTION:** Be careful when removing debris. Do not use a utensil with a sharp edge. Avoid using blades or sharp tips when cleaning brushes.



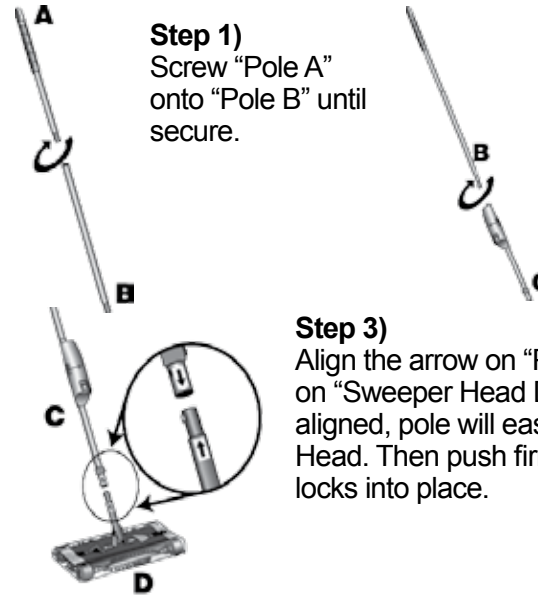
**Step 5)** Dispose of debris properly. Then reconnect the brush head in reverse order of removal (SEE FIG. 8). Check that the brush is returned to the original locked position (SEE FIG. 9). Note that the "dot" on the shaft will be in the position away from the reference arrow.



## TO ASSEMBLE SWIVEL SWEEPER:



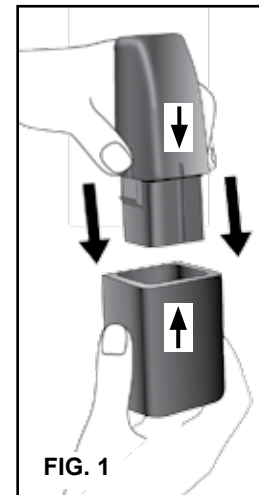
- A. Upper Pole
- B. Middle Pole
- C. Lower Pole
- D. Sweeper Head



**Step 1)** Screw "Pole A" onto "Pole B" until secure.

**Step 2)** Screw "Pole B" onto "Pole C" until secure.

**Step 3)** Align the arrow on "Pole C" with the arrow on "Sweeper Head D." When arrows are aligned, pole will easily slide onto Sweeper Head. Then push firmly together until pole locks into place.



## CHARGING YOUR BATTERY:

**Step 1)** Plug the "Battery Charger" into a standard electrical outlet as below:

UL/cUL 120V ~ 60Hz  
GS 220V - 240V ~ 50/60Hz

**Step 2)** Align the arrow on the "Rechargeable Battery" with the arrow on the "Battery Charger." Then, insert the "Rechargeable Battery" down into the "Battery Charger" (SEE FIG. 1). **NOTE:** Red light on the front of the "Battery Charger" should turn on to indicate that the battery is charging.

**IMPORTANT:** For initial battery charge, let battery charge for at least 8 full hours. When recharging, charge time will vary dependent upon the amount of power that is left in the battery after its last use. Recommended recharging time for the battery after completely depleting it is 6-8 hours. Battery may be left in charger for extended periods of time but do NOT exceed 12 consecutive hours. Doing so may lead to shortened overall battery life. It is not necessary to wait until battery power is fully depleted before recharging.

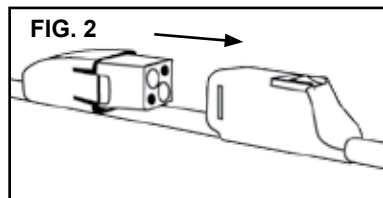
### **USING SWIVEL SWEEPER MAX®:**

**Step1)** Make sure the Swivel Sweeper is turned off.

(NOTE: The “On/Off Switch” is located on the front of the “Battery Compartment”).

**Step 2)** Make sure the “Touchless Dirt Tray” is empty (see directions on Pg. 6, EMPTYING THE TOUCHLESS DIRT TRAY).

**Step3)** Insert the “Rechargeable Battery” down into the “Battery Compartment” located on the front of the pole until it locks into place (SEE FIG. 2).



**Step 4)** Turn the Swivel Sweeper on to begin cleaning.

**Step 5)** When you are done cleaning, turn the Swivel Sweeper off and empty the contents of the “Touchless Dirt Tray” into a garbage receptacle. (See directions on pg. 6 to empty the “Touchless Dirt Tray.”) Recharge the battery if necessary.

### **IMPORTANT: AUTOMATIC SHUT-OFF FEATURE**

Swivel Sweeper will automatically shut off to protect its moving parts if the brushes become bound by carpets, rugs, hair or other objects.

#### **TO RESET THE SHUT-OFF FEATURE:**

1. Place the “On/Off” switch in the “Off” position.
2. Untangle the sweeper’s brushes from the object(s) they are bound by.

**Sweeper will be ready to operate within 10 seconds.**

### **EMPTYING THE TOUCHLESS DIRT TRAY:**

**Step1)** Make sure the Swivel Sweeper is turned off.

**Step 2)** Hold the Swivel Sweeper “Base” over a garbage receptacle, push the “Touchless Dirt Tray Lock/Release Tabs” inward (SEE FIG 3) until the “Touchless Dirt Tray” swings open (SEE FIG. 4) to empty the dirt and debris into the garbage receptacle.

**Step 3)** Then place the “Base” back on the floor or other flat surface. With gentle downward pressure, the “Touchless Dirt Tray” will lock closed.

**IMPORTANT:** If “Touchless Dirt Tray” does not securely connect back up into the “Base,” check to make sure that no small metal debris (i.e. staples, paper clips etc.) has magnetized to the Swivel Sweeper’s motor located on the underside of the “Base.”

