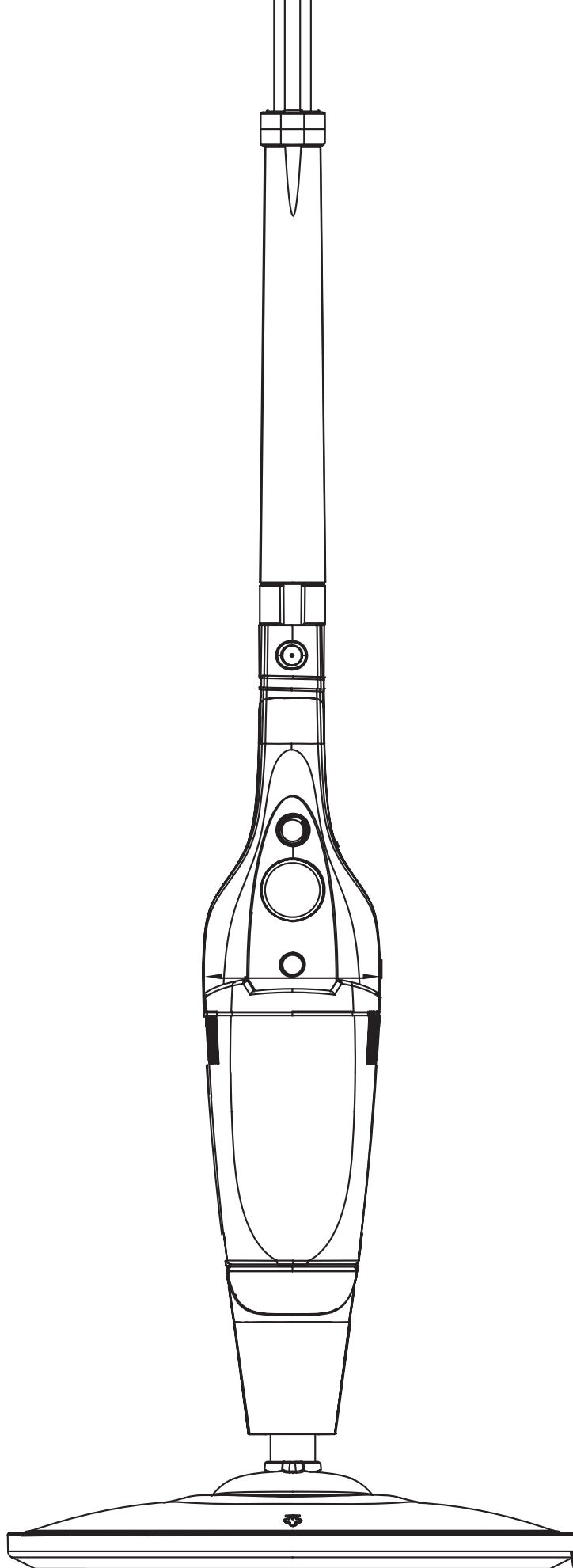




H2O Lite™

USER GUIDE

Model # KB-019C



THANK YOU NOTE

Congratulations on your choice of the H2O Lite™; a new, more compact and lighter steam cleaner that easily converts from a floor mop and carpet cleaner into a powerful hand-held steamer.

The H2O Lite™ is a new way of effective cleaning. The H2O Lite™ increases cleaning power and helps sanitize by converting water to steam and using a microfiber cloth to enhance absorbency. Dirt and grime can be eliminated in a matter of seconds. Cleaning with the H2O Lite™ is environmentally friendly, as it uses the active power of steam without the use of detergents.

Thane Direct and its affiliated companies assume no liability for personal injury or property damage resulting from the misuse of the H2O Lite™, including the failure to comply with the instructions contained in this User's Guide or provided by the manufacturer or distributor of the treated surface.

IMPORTANT SAFETY INFORMATION
READ ALL INSTRUCTIONS BEFORE USING THIS STEAM CLEANER.

CONTENTS

Important Safeguards	3
Introduction To The H2O Lite™	4
Key Features.....	4
Optional Accessories	5
How To Assemble The H2O Lite™	6
How To Use The H2O Lite™	7
How To Use The H2O Lite™ Removable (optional) Water Filler.....	8
How To Assemble The Hand-Held Steamer	9
How To Use The Hand-Held Steamer	10
After Use	10
Accessory Usage	11
Cleaning And Maintenance	12
Troubleshooting Guide	13

IMPORTANT SAFEGUARDS

PLEASE READ ALL PRODUCT INSTRUCTIONS CAREFULLY. FAILURE TO FOLLOW THE PRODUCT INSTRUCTIONS WILL VOID YOUR WARRANTY.

USE YOUR H2O Lite™ ONLY AS DIRECTED IN THIS MANUAL AND ONLY WITH THE MANUFACTURER'S RECOMMENDED ACCESSORIES. USE OF ATTACHMENTS OR ACCESSORIES NOT PROVIDED OR SOLD BY THE MANUFACTURER OR BY AUTHORIZED RESELLERS MAY CAUSE FIRE, ELECTRIC SHOCK OR INJURY.

AS WITH ANY ELECTRICAL APPLIANCE, BASIC PRECAUTIONS SHOULD ALWAYS BE OBSERVED WHEN USING THIS PRODUCT, INCLUDING THE FOLLOWING:

WARNING

1. Verify that the main voltage indicated on the Rating Plate on this appliance corresponds with the voltage of your electrical outlet.
2. In order to protect against risk of electric shock, only plug this appliance into properly grounded outlets.
3. This appliance is designed for household use only. Do not use outdoors. Commercial use of the H2O Lite™ voids the manufacturer's warranty.
4. Do not leave the H2O Lite™ unattended while plugged in.
5. Close attention is necessary when used near children, pets or plants. Never direct steam towards people, animals or plants, as hot steam emission may cause scalding.
6. Do not allow the H2O Lite™ to be used as a toy. Children should be supervised to ensure that they do not play with this appliance.
7. This appliance is not intended for use by persons with physical, sensory or mental impairments unless they are instructed and supervised during use by an able and experienced adult responsible for their safety.
8. Do not handle the plug or the H2O Lite™ with wet hands or operate without shoes. Do not immerse the H2O Lite™ in water or other liquids. The liquid or steam should not be directed towards equipment containing electrical components, such as the interior of ovens.
9. Do not use this appliance with a damaged cord or plug. If it is not working as it should, or if it has been dropped, damaged, left outdoors, or immersed in water, return it to the distributor. If the supply cord is damaged, it must be replaced by the manufacturer or a qualified repair facility to avoid hazard.
10. Never force the plug into an outlet or pull or carry the unit by the cord. Do not use the cord as a handle, close a door on the cord or pull the cord around sharp edges or corners. Keep the cord away from heated surfaces.
11. Do not use extension cords or outlets with inadequate current-carrying capacity, and in order to avoid circuit overload, do not operate another appliance on the same socket (circuit) as the H2O Lite™.
12. To disconnect the H2O Lite™, turn the Power Switch (O / I) to the "OFF" position; then remove the plug from the outlet.
13. Unplug the unit after each use or before servicing. In order to safely unplug the unit, grasp the plug and gently pull. Do not unplug the unit by pulling on the cord.
14. Do not insert any objects into openings in the unit or use it with any of its openings blocked.
15. Store your H2O Lite™ indoors in a cool and dry place. Never leave the H2O Lite™ outdoors.
16. Keep your work area well lit and use extra caution when using on stairs.
17. Do not use the unit without water in the Water Tank, and do not use the Mop Head without first attaching the floor cloth.
18. Stop using the H2O Lite™ if you observe water leakage, and contact a qualified technician.
19. Never put hot water or liquids such as alcohol-based or detergent products into the Water Tank. This will make operation unsafe and damage the unit.
20. Always keep the steam opening clear of any obstructions. Avoid placing the steam opening on soft surfaces to avoid blocking the flow of steam. Keep the steam opening free from lint, hair and other potential obstructions to ensure proper steam flow.
21. Do not use the H2O Lite™ in spaces that are exposed to flammable, explosive or toxic vapor such as paint thinner or oil-based paint.
22. Do not use on leather, wax-polished furniture or floors, unsealed hardwood or parquet floors, unglazed ceramic floors, synthetic fabrics, velvet or other delicate steam-sensitive materials.
23. Do not use this appliance for space heating purposes or place it on or near hot surfaces such as a hot gas or electric burner, or in a heated oven.
24. Do not use this appliance for other than its intended use.

SAVE THESE INSTRUCTIONS

INTRODUCTION TO YOUR H2O Lite™

The H2O Lite™ is designed to thoroughly clean floor surfaces, such as marble, ceramic, carpet, stone, linoleum, sealed hardwood floors and parquet.

Test the H2O Lite™ on a small isolated area of your flooring prior to overall use on floor surfaces. The heat and steam action may remove the wax on surfaces treated with wax. Do not let unit stand on any wood or heat-sensitive floors for an extended period of time. Water marks, discoloration or damage to the floor surface can occur if the unit is left operating too long in one place. When using on vinyl, linoleum or any other heat-sensitive floors, use extra caution. Too much heat can melt glue in the flooring. Use only on laminated flooring that has been laid professionally and without any gaps or cracks that would permit the entry of moisture. Not all floor types are suitable for steam cleaning. Always check the use and care instructions of your flooring manufacturer or distributor before using the H2O Lite™. When in doubt, consult a flooring specialist.

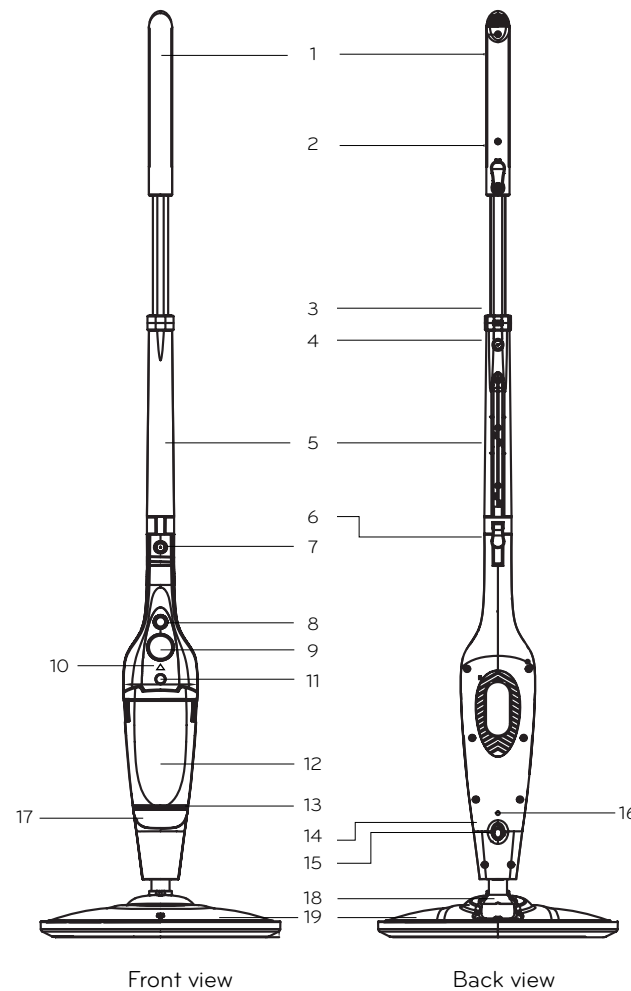
For Best Results:

- Sweep or vacuum floor prior to using the H2O Lite™.
- To avoid accumulation of excess water, the Microfiber Cloth must be clean and dry before use.

⚠ IMPORTANT

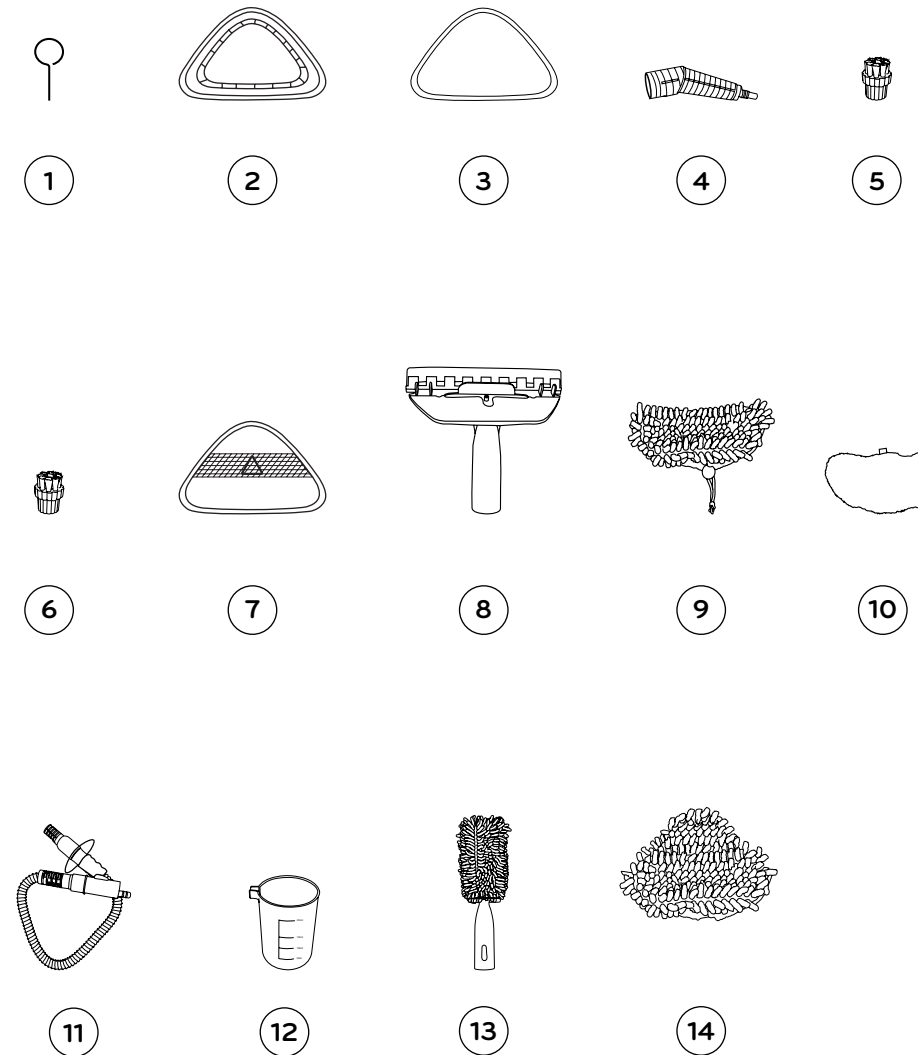
- Never steam at one spot for too long.
- Do not put hands or feet under the steam mop.
- It is normal to hear a pulsing noise during use, indicating that the mop is producing steam.
- There may be some minor "spitting" of water mixed with the steam.

KEY FEATURES



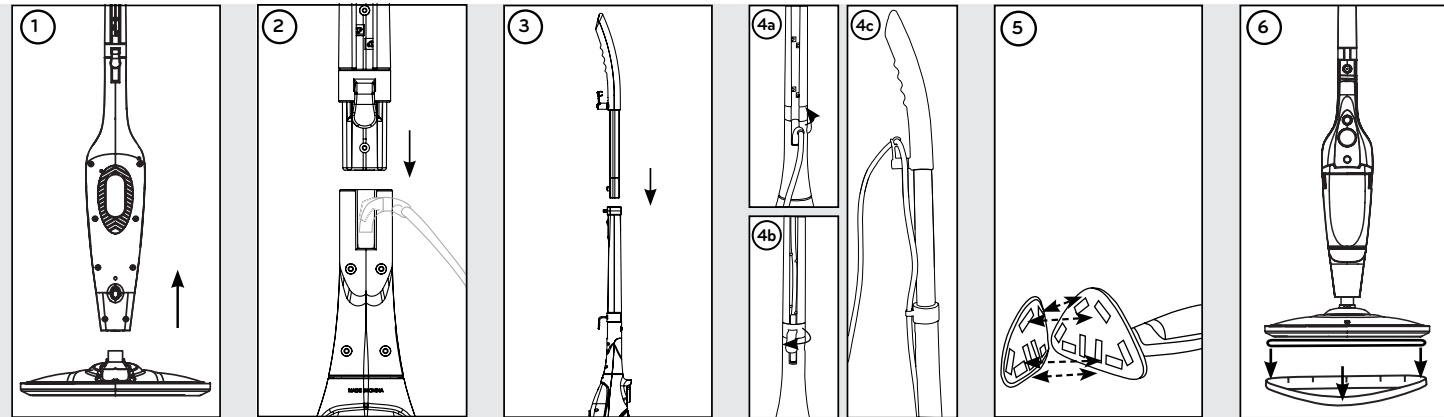
1. Curved Handle
2. Upper Cord Wrap
3. Cord Holder
4. Curved Handle Lock Button
5. Extension Handle
6. Lower Cord Wrap
7. Extension Handle Lock Button
8. Power Switch (O / I) with LED ON/OFF Light
9. Steam Regulator
10. Triangle Mark
11. Water Filter Release Button
12. Water Tank
13. Water Tank Cap
14. Main Body
15. Mop Head Lock Button (on Main Body)
16. Drain Hole
17. Water Filter (Optional)
18. Swivel Joint
19. Mop Head

OPTIONAL ACCESSORIES



1. Cleaning Pin
2. Carpet Glider
3. Microfiber Cloth Pad
4. Jet Nozzle
5. Round Nylon Brush
(Available in Black, Red, Green, Blue)
6. Black Brass Brush
7. Tri plus Cloth
8. Window Cleaning Tool
9. Window Cleaning Cloth
10. Garment Steaming Cloth
11. Extension Hose (for the Hand-Held Steamer)
12. Measuring Cup
13. Duster with Coral Cloth
14. Microfiber Coral Cloth

HOW TO ASSEMBLE H2O Lite™



Start the assembly of your H2O Lite™ by completing steps 1-6 as illustrated

Step 1: Attach the Mop Head to the Main Body as follows: Insert the Swivel Joint into designated hole in the Main Body until it locks in place with the Lock Button on the Main Body (you will hear a clicking sound).

Make sure that the Mop Head is securely locked into place before usage.

Step 2: Insert the Extension Handle into the designated opening in the Main Body until it gets locked in place with the Extension Handle Lock Button.

Step 3: Insert the Curved Handle into the designated opening of the Extension Handle until it gets locked in place with the Curved Handle Lock Button.

Make sure both parts, the Extension Handle and the Curved Handle, are secured in place before usage.

Step 4: Turn the Lower Cord Wrap to align the cord channel opening with the cord channel in the Extension Handle. Insert the cord all the way in its channel and turn the Lower Cord Wrap to lock the Power Supply Cord. Insert the Power Supply Cord into the Cord Holder at the top of the Extension Handle and then insert the Power Supply Cord into the Upper Cord Wrap.

Step 5: Attach one of the floor cleaning cloths by placing the cloth under the Mop Head. Align fastening strips of the cloth with the gripping strips on the bottom of the Mop Head. Press to fit together.

Step 6: When using the H2O Lite™ on carpeting or rugs: Place the Mop Head, with Microfiber Cloth in place, on top of the Carpet Glider as illustrated in Fig. 6. Do not attempt to use the H2O Lite™ on carpeting or rugs without the Carpet Glider in place. **Only use the White microfiber pad on carpets. Never use the Carpet Glider on surfaces that are prone to scratching.**

CAUTION Make sure that the unit is unplugged from an electrical outlet and the Power Switch (O / I) is in the "OFF" (O) position before assembling the unit or changing the accessories.

HOW TO USE H2O Lite™

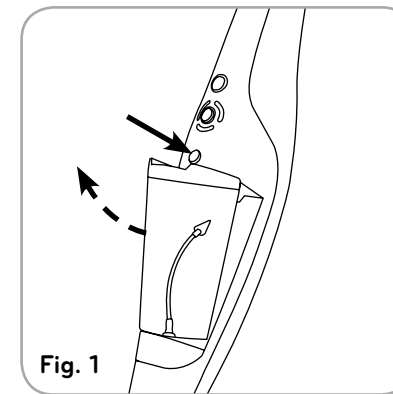


Fig. 1

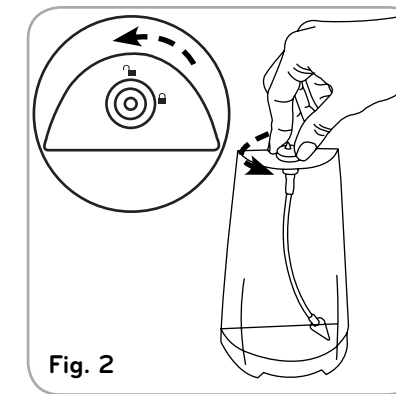


Fig. 2

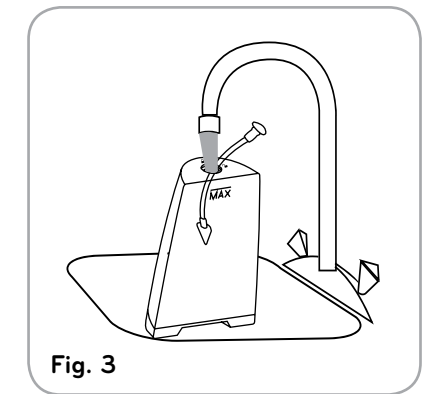


Fig. 3

To fill the Water Tank:

Ensure the H2O Lite™ Steam Cleaner is unplugged. Remove the Water Tank by pressing the Water Tank Release Button and pulling the Water Tank from both sides (Fig. 1). Turn the Water Tank Cap located at the bottom of the Water Tank to "OPEN" position and remove the Water Tank Cap (Fig. 2). Fill the Water Tank to the indicated tank capacity (420ml/14.8oz) (Fig. 3). Replace the Water Tank Cap and turn to "CLOSE" position. Make sure the Copper Cone inside the Water Tank is always submerged in water while operating the unit.

Never put cleaning detergents into the Water Tank. Unless approved by the manufacturer, do not put any scented products in the Water Tank. The H2O Lite™ Steam Cleaner uses tap water, but in areas with hard water use distilled water for better performance.

Once the unit has been fully assembled and filled with water, plug the Power Cord into an electrical outlet.



Turning the unit ON:

1. Press Power Switch (O / I) to "ON" (I) position; a Red Power Indicator light will come on, indicating power is on.
2. Wait for approximately 25 seconds for the power switch light to turn green which indicates that the unit is ready to emit steam.
3. Turn the steam regulator button to your desired steam level (1-4) towards the Δ triangle mark and press the Power Switch to "ON": (I) position to start emitting steam.
4. To stop emitting steam, press the Power Switch to "OFF" (O) position and unplug the Power Supply Cord from the electrical outlet.

1 LOW STEAM
FOR SENSITIVE SURFACES
 • Garments
 • Mattresses & Pillows
 • Upholstery
 • Sealed Hardwood/Laminate (may also use medium steam setting)

Surface will remain dry or dry quickly

2 MEDIUM STEAM
FOR LIGHT CLEANING
 • Plastic
 • Granite & Marble
 • Tiles
 • Slate
 • Windows & Mirrors

Surface will remain dry or dry quickly

3 HIGH STEAM
FOR TOUGHER STAINS
 • Stainless Steel
 • Porcelain Fixtures
 • Carpets & Door mats

May leave surfaces moist

4 HOT SPRAY
FOR SCRUBBING
 • Concrete
 • Toilets
 • Sinks
 • Rims

Light spray of water will leave surface wet

The H2O Lite™ Steam Cleaner is designed to thoroughly clean floor surfaces, such as marble, ceramic, carpet, stone, linoleum, sealed hardwood floors and parquet. Test the H2O Lite™ Steam Cleaner on a small isolated area of your floor prior to overall use on floor surfaces. The heat and steam action may remove the wax on surfaces treated with wax. Do not let unit stand on any wood or heat-sensitive floors for an extended period of time. Water marks, discoloration or damage to the floor surface can occur if the unit is left operating too long in one place. When using on vinyl, linoleum or any other heat-sensitive floors, use extra caution. Too much heat can melt glue in the flooring. Use only on laminate flooring that has been laid professionally and without gaps or cracks that would permit the entry of moisture. Not all floor types are suitable for steam cleaning. Always check the use and care instructions of your flooring manufacturer or distributor before using the H2O Lite™ Steam Cleaner. When in doubt consult a flooring specialist.

Start Cleaning:

Slowly pass over the surface to be cleaned. The absorbent mop cloth picks up the dirt loosened by the steam. Apply steam as needed. When the H2O Lite™ Steam Cleaner stops producing steam, simply turn it off, unplug it from the electrical outlet and refill the Water Tank to continue cleaning.

HOW TO USE H2O Lite™

⚠ WARNING Never leave the H2O Lite™ Steam Cleaner unattended while plugged in.

For Best Results:

1. Sweep or vacuum floor prior to using the H2O Lite™ Steam Cleaner.
2. To avoid puddling of water, the Microfiber Cloth must be clean and dry for use. To replace the cloth, proceed as follows: Let the cloth cool down, remove cloth from unit, replace with a new Microfiber Cloth (optional item) and continue use. Select Low Steam power level.

⚠ WARNING Do not carry out this procedure on heat and steam sensitive floors.

⚠ IMPORTANT

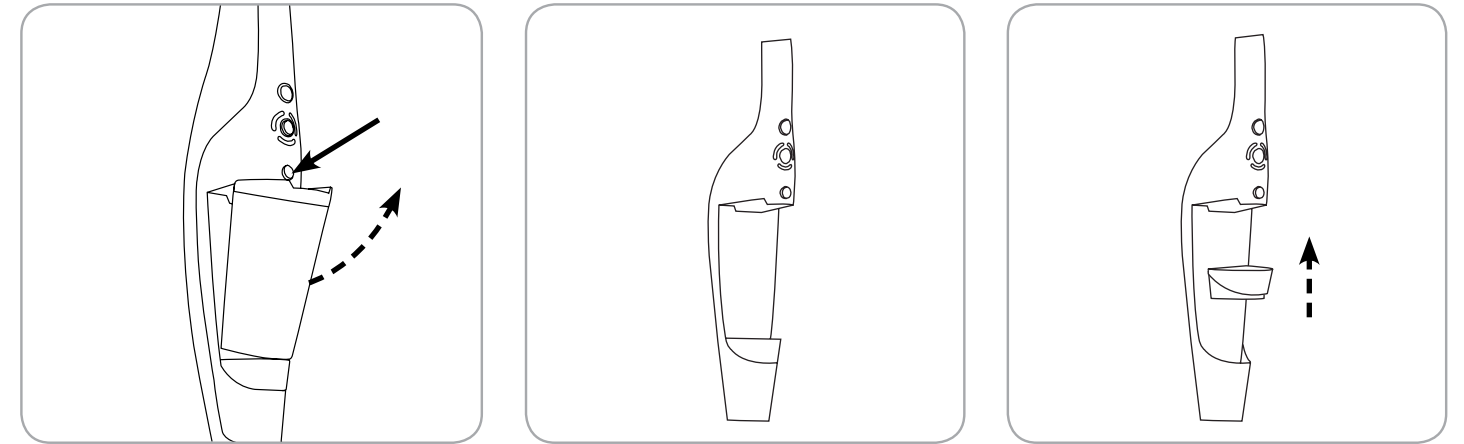
- Never steam on one spot for too long. This can cause floor surface damage.
- Do not put hands or feet under the steam mop. Unit gets very hot.
- During use a pulsing noise may be heard indicating that the mop is producing steam. This noise is normal.
- There may be some minor "spitting" of water mixed with the steam. This is also normal.
- The force and heat of the steam may adversely affect certain materials. Always check the suitability of using steam on a surface by carrying out a preliminary test on a hidden area.

HOW TO USE REMOVABLE OPTIONAL WATER FILTER

It is important to replace the water filter every three to four months or after approximately 20 to 25 uses as the filter becomes visibly dirty. The Water Filter removes minerals and other impurities from tap water and also works to prevent water deposits from damaging your H2O Lite™ Steam Cleaner. To maximize the performance of your filter, distilled water may be used.

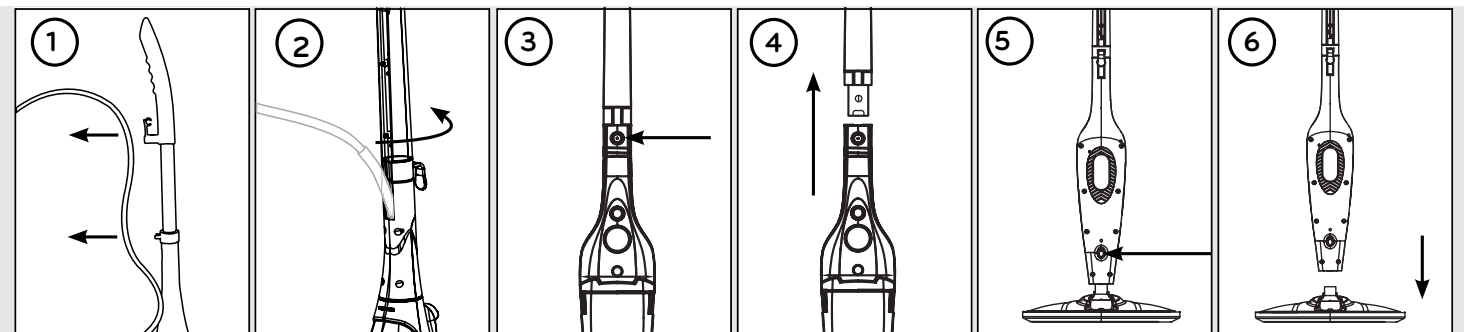
To replace the Water Filter, remove the Water Tank by pressing the Water Tank Release Button and pulling the Water Tank from both sides. With the Water Tank removed, grab and lift the Water Filter from the Handheld Steamer and discard. Replace with a new Water Filter from Thane™. Replace Water Tank and follow instructions for "How to use your H2O Lite™ Steam Cleaner."

HOW TO USE REMOVABLE OPTIONAL WATER FILTER



We recommend you contact customer service from where you purchased H2O Lite™ unit to inquire how to purchase water filter

HOW TO ASSEMBLE THE HAND-HELD STEAMER



The Hand-Held Steamer is an ideal portable cleaner for use on work surfaces, countertops, sinks, windows, mirrors, tiles and spot cleaning on floors, carpets and rugs. The Hand-Held Steamer is designed to thoroughly clean and help sanitize many of the surfaces in your home without harsh chemicals. Whether it's the bathroom or kitchen, nursery or backyard grill – now you can GREEN CLEAN with variable steam settings that make the H2O Lite™ great for virtually any cleaning job.

To Assemble the Hand-Held Steamer:

Follow Steps 1, and 2 to release the Power Supply Cord

Follow Steps 3, and 4 to release the Extension Handle

Follow Steps 5, and 6 to release the Mop Head from the Main Body

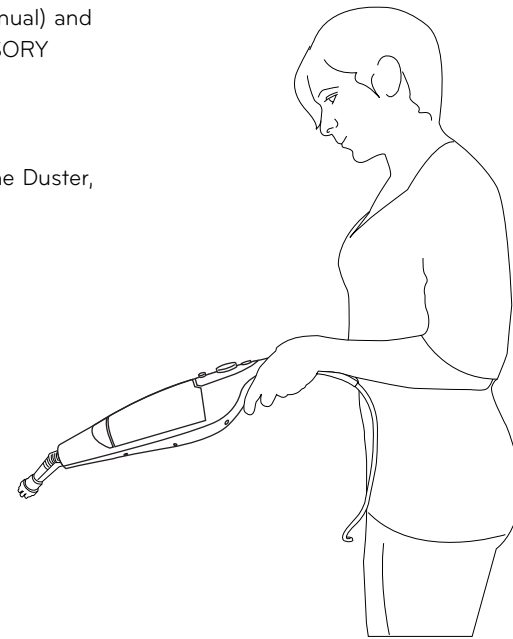
⚠ CAUTION Make sure H2O Lite™ is unplugged before assembly.

HOW TO USE THE HAND-HELD STEAMER

Fill the Water Tank with water (refer to the "HOW TO USE H2O Lite™" section in this manual) and select and attach one of the available optional attachments (please refer to the "ACCESSORY USAGE" section in this manual).

Select one of the Steam Regulator positions:

For the optional Garment Steamer and Window Cleaner Tool, use settings 1 and 2. For the Duster, use settings 1, 2, or 3. Do not use HOT SPRAY setting 4.



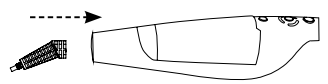
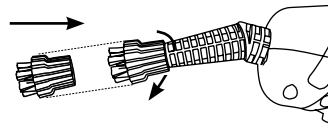
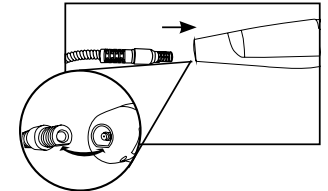
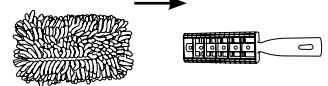
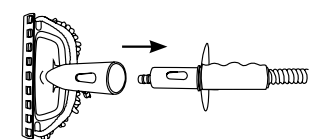
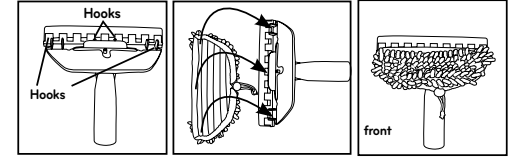
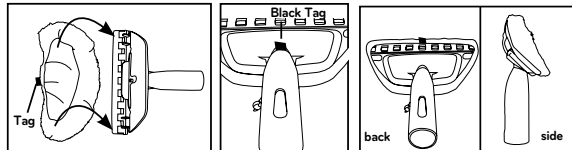
NOTICE

- Do not use the Hand-Held Steamer to clean frozen windows.
- Be careful when using the Hand-Held Steamer on glass, as the glass may break.

AFTER USE

1. Press the Power Switch to OFF (O).
2. Unplug Power Cord from the electrical outlet.
3. Make sure to remove the Mop Pad/Cloth before storage. Allow it to cool down and carefully remove the cloth.
4. Always empty the Water Tank at the end of each use.
5. Drain left-over water or steam before storing.
6. Wrap Power Cord around Upper and Lower Cord Wrap.
7. Wipe all surfaces of the H2O Lite™ with a soft cloth.
8. Store in a protected and dry area.

OPTIONAL ACCESSORY USAGE

Part and Usage	Assembly	Tips/Caution
JET NOZZLE Produces powerful steam for cleaning corners and gaps.	Insert the Jet Nozzle into the designated hole in the Main Body until it safely locks in place. 	Make sure the Jet Nozzle is securely locked in place before usage.
NYLON BRUSH The round nylon brush is great for cleaning smooth hard surfaces, such as toilets, sinks, and kitchen counters, etc. It can be used with soap or detergent to clean dirty areas.	Nylon brush can be attached to any of the steam nozzles. Attach the round nylon brush or brass brush by screwing onto the threaded end of the Jet Nozzle, Bendable Jet Nozzle or Long Steam Lazer. 	Use different brush for particular cleaning areas (kitchen, bathroom, etc.)
BRASS BRUSH Can be used on hard surfaces that are not prone to scratches, i.e. car rims, BBQ, etc.		
EXTENSION HOSE This 76 cm (30") Extension Hose is designed for use with Hand-Held Steamer and with the following attachments: <ul style="list-style-type: none"> - Window Cleaning Tool - Duster - Bendable Jet Nozzle - Long Steam Lazer™ 	Insert the designated end of the Extension Hose into the designated hole in the Main Unit until it locks in place. 	Make sure the Extension Hose is securely locked into place before usage. When in use, keep the Extension Hose away from your body and avoid touching the hose as it can get hot. Do not pull the Extension Hose with excessive force, as it might cause damage and result in a steam leak.
DUSTER, WITH CORAL CLOTH Slowly pass over surface to be cleaned. The absorbent Coral Cloth picks up the dirt loosened by the steam.	Install the Coral Cloth into the Duster frame and attach the Duster to the Extension Hose. 	Do not use steam setting 4 when using the Duster.
WINDOW CLEANING TOOL Attached to the Extension Hose and in combination with one of the provided cleaning cloths or scraper, use this tool for window cleaning, garment steaming, wallpaper removal, etc.	Align the lock button on the Extension Hose with the designated hole on the Window Cleaning Tool Frame and push in the Extension Hose until it locks in place. Install cleaning cloth of your choice onto the Window Cleaning Tool. 	For best performance and safety do not use steam setting 4 with the Window Cleaning Tool.
WINDOW CLEANING CORAL CLOTH Use it to clean windows, mirrors and glass.	Install the Coral Cloth over the Window Cleaning Tool. Do not cover the squeegee blade or scraper when installing the cleaning cloth. 	Do not use steam on frozen windows. Be careful when using the steamer on glass, as the glass may break.
GARMENT STEAMING CLOTH To steam a garment, place item of clothing on a hanger and steam the garment directly. Slowly slide the Garment Steamer Head vertically over the garment to smoothen the fabric and remove wrinkles and odors.	Install the Garment Steaming Cloth over the Window Cleaning tool. Make sure to attach the cloth to all hooks on the Cleaning Tool Frame to avoid slipping from the frame during use. 	For garment steaming do not use steam settings 3 and 4. Some fabrics like leather, suede, and velvet may not be suitable for steaming. Please refer to the manufacturer's label. Curtains and draperies can be steamed while hanging.

CLEANING AND MAINTENANCE

DISCONNECT THE UNIT FROM THE POWER OUTLET DURING CLEANING AND MAINTENANCE.

⚠ WARNING DO NOT IMMERSE THE H2O Lite™ IN WATER.

Cleaning procedure to remove lime scale

If your H2O Lite™ begins to produce steam slower than usual or stops producing steam you may need to remove lime scale. It is necessary to remove lime scale on a regular basis, every 25 times you use a full tank of water or once a month, especially in areas with hard water.

To remove lime scale from the H2O Lite™, please follow these procedures:

Using the Cleaning Pin

Swirl and push the pin up and down the small hole of the steam outlet in the Main Body. Ensure that all scale debris has been removed from the steam outlet before reassembling.

Using a cleaning solution

1. Prepare a solution of 1/3 white vinegar and 2/3 water and add to the Water Tank.
2. Ensure that steam released is aimed away from the floor or surrounding objects. Plug the unit into a properly grounded electrical outlet, turn it ON and allow the unit to produce steam until the vinegar/water solution is used up.
3. Repeat the above procedure as many times as necessary until a normal steam flow is achieved.
4. Fill the Water Tank with fresh water and rinse out.
5. Fill the Water Tank with fresh water again, and release steam through the system until the Water Tank is empty.
6. Perform a test cleaning on a suitable isolated area after each lime scale removal to ensure that there is no debris left in the system.

Use detergent to clean the accessories when they are dirty. Wash with clean water and air dry.

To clean calcium deposits building up inside the Water Tank:

Add 1-2 tablespoon of white vinegar to a full Water Tank, close the Water Tank cap and shake the contents. DO NOT TURN THE STEAMER ON. Let the unit sit for a few hours. Empty the Water Tank and rinse with clean water until it rinses clear.

Cleaning blocked steamer accessories:

Due to the high mineral content of water in some areas, some calcium buildup might develop inside the tip of the Jet Nozzle. To clean it, we recommend using a spray lubricant. Spray a small burst or two of the lubricant inside the tip of the Jet Nozzle. After spraying the lubricant, fill the steamer with water and run a continuous jet of steam through the affected accessory for several minutes to remove the deposit.

WE RECOMMEND PERFORMING THIS PROCEDURE IN A PROTECTED AND WELL-VENTILATED AREA.

Microfiber Cloth care:

Machine wash at 60 °C (140 °F) / Do not bleach / Do not use fabric softener.

TROUBLESHOOTING GUIDE

Problem	Possible Cause	Solution
The unit does not power on	The unit is not plugged in or turned ON	Make sure the unit is plugged into a properly grounded outlet and the switch is ON
Reduced steam or no steam	Water Tank is empty	Fill Water Tank
	Blocked Steam Nozzle	Remove Mop Head and clean the Nozzle
	Lime scale deposit	Follow cleaning procedure to remove lime scale
Steam escapes from connections	Attachment is improperly connected	Turn the unit OFF, allow it to cool down, detach the accessories and reattach them properly
	Debris or obstructions at the connection points	Remove the accessory and check and clean connection points
The cleaning cloth becomes wet	The cloth gets saturated with water	Replace with a new cleaning cloth (optional item) or allow cloth to cool, wring out and reattach.
My unit is leaving too much water on the floor	Steam setting is too high	Turn unit to lower setting. Floors only require settings 1 or 2 (Page 7)
My unit is not cleaning old spots and stains very well	The stain and/or dirt spot is older and has set for a long period of time	Repeat steam cleaning on the old stain and/or spot
The handle on my mop feels flimsy	The cloth is too wet which doesn't allow the unit to move smoothly, putting pressure on the handle	Replace your wet cloth with a dry cloth
Streaks are visible on the floor after use	The cloth is dirty	Replace dirty cloth with clean cloth
My unit spits water out of the nozzle	Steam setting is too high	Turn unit to lower setting. Floors only require settings 1 or 2 (Page 7)

OTHER TROUBLESHOOTING TIPS

- If the unit is not steaming and the light indicator has gone from red to green, make sure that the On/Off switch has been pushed into the "on" position or the unit will not begin to steam.

NOTE: The fourth setting is the Hot Spray setting. On this setting the unit may spit out water, this is normal.

- When using the optional attachments, make sure that they have been put into place securely and locked in.

- For the Window Cleaning/Garment Steaming optional attachment, make sure to hold the attachment below the round lip, to avoid the warm water from leaking onto your hand while in use.

- When using the mop, ensure the cord is secured in the provided areas on the pole to avoid any strain in the connection and to allow for easy maneuvering of your unit.



Distributed by:

Thane Canada Inc.
Mississauga ON L4W 5M6, Canada
www.thane.ca

Thane USA, Inc.
Canton OH 44718, U.S.A.
www.thane.com

Thane Direct UK Limited
London EC2Y 9DT, UK
www.thane.tv

Danoz Direct Pty Ltd.
Mascot NSW 2020, Australia
www.danoz.com.au

Operadora Ainoa, S.A.P.I. DE C.V.
Avenida Magnocentro #5 Piso 1
Huixquilucan Estado de México C.P: 52760
www.mejorcompratv.com

TVNS Scandinavia AB
SE-211 18 Malmö, Sweden
www.tvns.com

"Thane", "H2O", "Lite" and related logos and variations are trademarks or registered trademarks, in Canada and/or other countries, of Thane IP Limited and/or its affiliated companies.

Copyright: © 2017 Thane IP Limited.

MADE IN CHINA

H2OLite MNL ENG R1 180713