

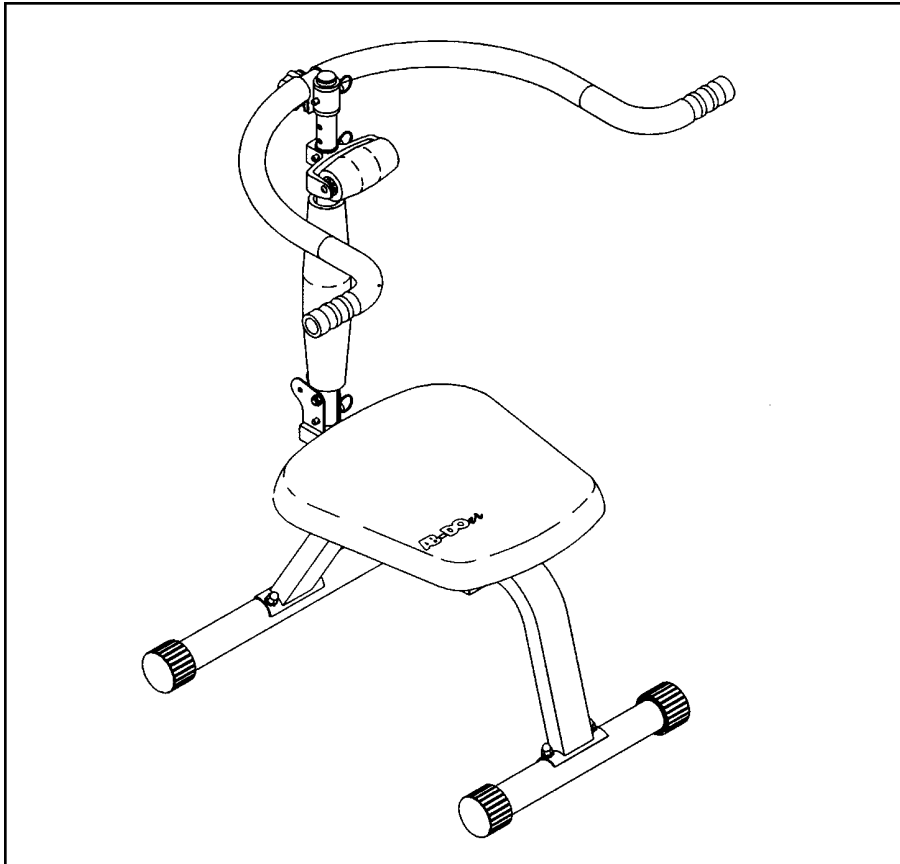
Owner's Manual & Nutritional Guide

**Step By Step
Instructions
to Maintaining
a Healthy Life-Style!**

TABLE OF CONTENTS

OWNER'S MANUAL	2
BEFORE YOU BEGIN	3
HARDWARE ILLUSTRATIONS.....	3
HOW TO ASSEMBLE	4
PRODUCT PARTS DRAWING.....	6
PRODUCT PARTS LIST	7
AB-DOs.....	8
AB-DOn'ts.....	9
FLEXIBILITY AND WARMUP PROGRAM	10
TORSO TWISTS.....	10
SIDE LEANS	11
ARM CIRCLES	11
SQUAT.....	11
FORWARD LEAN (STANDING).....	12
FORWARD LEAN (SEATED).....	12
CAT STRETCH.....	12
PENDULUM	12
WORKOUT ROUTINE.....	13
BODY BOBS	13
GOOD MORNINGS	13
BODY BOOGIES	13
TWIST & SHOUT	14
TOSSES.....	14
HOP SCOTCH	14
FIGURE 8s	15
STREET BRAWL	15
SUGGESTED ROUTINES	16
NUTRITION GUIDE.....	18
FOOD AND HOW TO CONTROL IT.....	19
DON'Ts.....	19
DOs	20
FOOD TIMING	21
WHEN TO EAT; WHEN TO STOP.....	21
RESTAURANT EATING.....	22
CHEATING (INDULGING).....	22
HOW TO PREVENT CRAVINGS	23
NUTRITIONAL SUPPLEMENTATION	24
GOOD JUDGEMENT	24
WHEN TO SEE YOUR DOCTOR	24
WOMEN; SPECIAL FACTS AND CONSIDERATIONS	25
SPECIAL NUTRITIONAL REQUIREMENTS.....	25
THE BODY	25
PREGNANCY.....	25

OWNER'S MANUAL



! WARNING

Consult your physician before starting this or any exercise program. This is especially important for persons with preexisting health problems or who are pregnant. If you experience dizziness or faintness, discontinue use of the AB-DOer immediately. Do not use the AB-DOer or attempt any exercises until you have read this entire manual and have watched the instructional video tape. Follow all safety instructions. Thane Fitness assumes no responsibility for personal injury or property damage sustained by or through the misuse of this product.

NOTE: If your body weight is in excess of 275 pounds use at your discretion.

This Product is Brought to You by
THANE Fitness®
 in association with
 John Abdo, inventor and spokesperson

MADE IN CHINA

Product may vary slightly
 from one pictured.

THANE Fitness®

Customer service number:

1-888-367-6206

U.S. Customers Only

BEFORE YOU BEGIN

Dear Fellow Fitness Enthusiast,

I want to thank and congratulate you for making The AB-DOer™ your choice in abdominal training.

And once you see the amazing results, not only to your abs, but to your entire midsection you'll be telling all your friends how great the AB-DOer is.

The AB-DOer was invented to provide you with a multitude of benefits. Not only will you strengthen, tone and reduce fat from your abdominals, but you will also strengthen your lower back and spinal column.

Common ab exercises are prone to increase (not decrease) the size of your stomach muscles, this is called hypertrophy, as traditional exercise uses a resistance factor that actually stimulates muscle enlargement. Now, instead of anywhere from five to ten different exercises that are time consuming, energy draining, inefficient, and ridiculous all you need is the AB-DOer.

From one comfortably seated location you can easily condition every muscle in and surrounding your midsection while shaving away all of that excess fat. And the great thing is The AB-DOer is fun and easy to use.

So without further delay, finish reading this manual, pop the video into your VCR and get ready for all the compliments when your friends see how great you look.

I wish you phenomenal success!



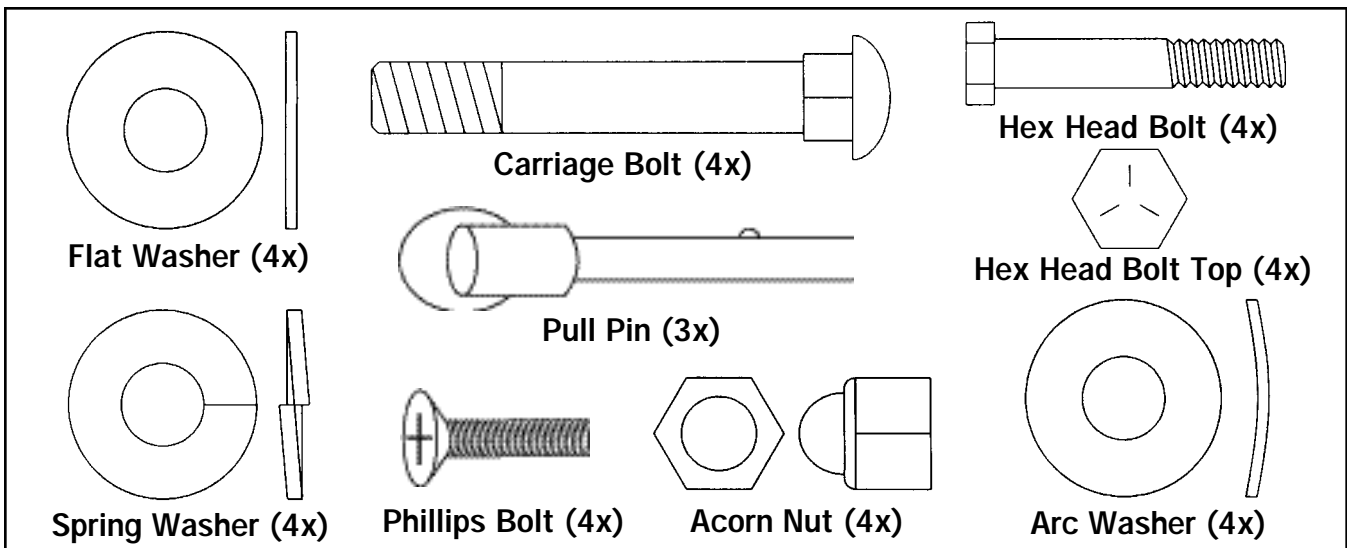
Sincerely,

John Abdo
Inventor

HARDWARE ILLUSTRATIONS

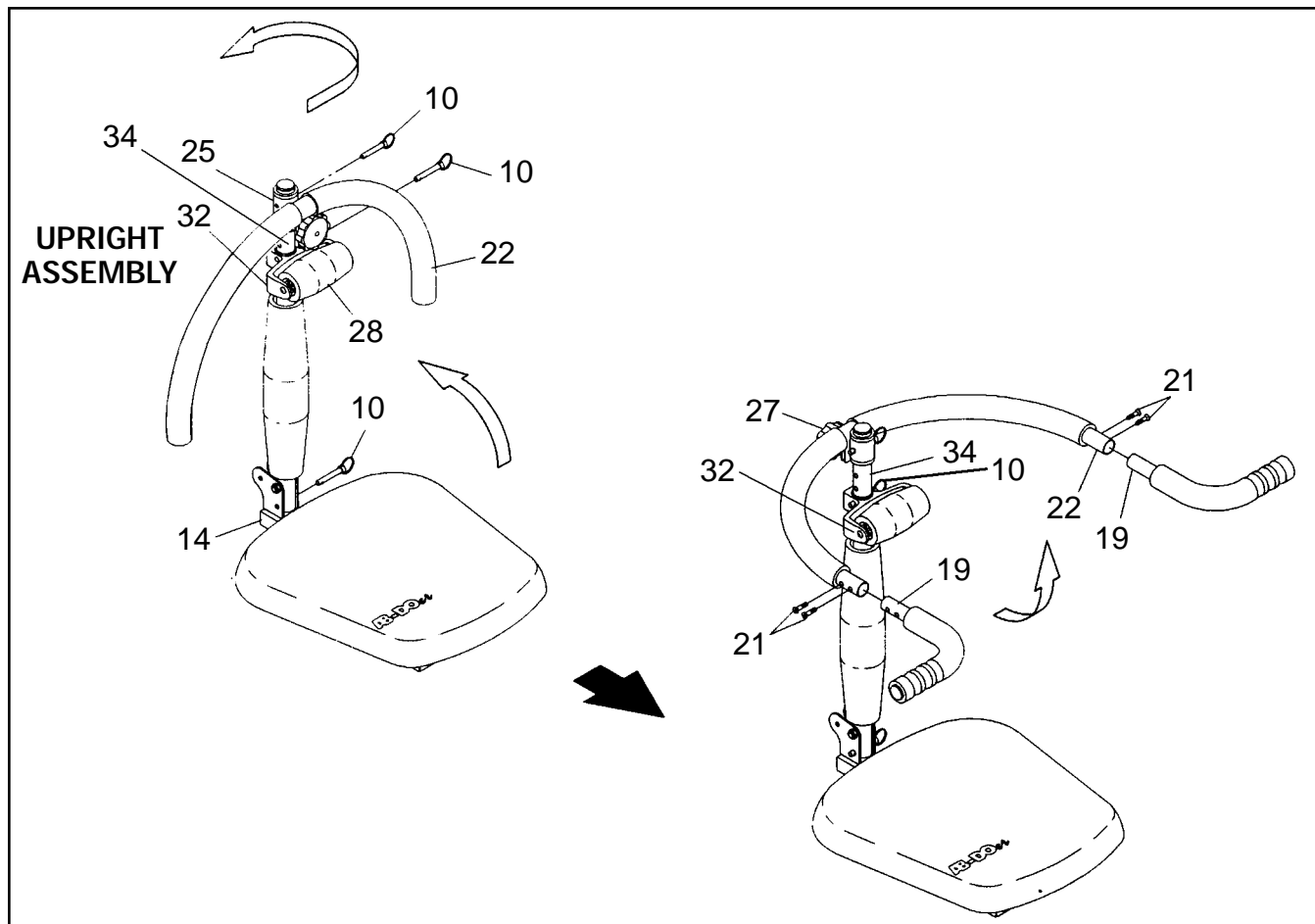
This reference chart is provided to help you identify some of the small parts utilized in the assembly of your AB-DOer.

PLEASE NOTE: From time-to-time the manufacturer will substitute a comparable part for another. This sheet may identify parts that are not included for the assembly of your AB-Doer. Do not become alarmed if you do not have the specific parts listed on this sheet.



HOW TO ASSEMBLE

Before beginning lay out all parts and hardware in a clear area. Put all packing material back into the box. Familiarize yourself with all the parts and assembly by carefully reading the instructions before you do anything else. If you are missing a part please call customer service at 1-888-367-6206 (US Customers Only).



STEP 1

Unfold the UPRIGHT ASSEMBLY to an upright position by pulling out the PULL PIN (10) located to the rear of the SEAT FRAME (14) then swing the UPRIGHT ASSEMBLY up and lock in position by reinserting the PULL PIN. Pull out the PULL PIN (10) on the SPRING SET (34) and lock the MASSAGE ROLLER BRACKET (32) into position with the pin.

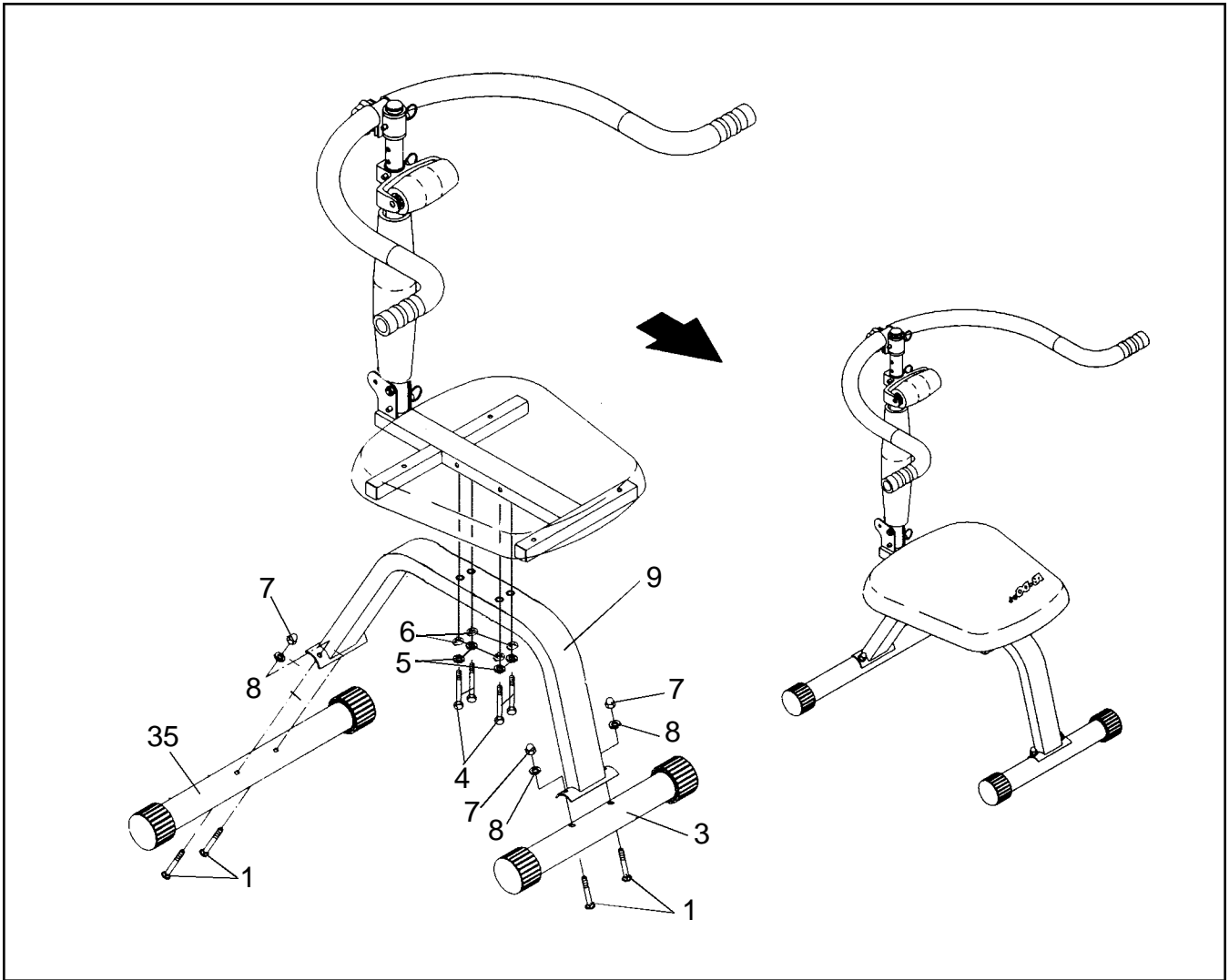
STEP 2

The ARM BAR (22) has been attached in the upside-down position to save space in packaging. Pull out the PULL PIN (10) on the CONNECTION BUSHING (25) and turn the ARM BAR (22) 180° to make the LOCKING KNOB (27) face to the backside. Secure the ARM BAR (22) with the PULL PIN (10).

NOTE: You can adjust the position of the MASSAGE ROLLER (28) and ARM BAR (22) to fit your body size.

STEP 3

The ARM BAR (22) can be locked in any angle by loosening the LOCKING KNOB (27). Roll back the foam at the end of the ARM BAR (22) to reveal the holes and attach the HANDGRIPS (19) onto both ends of the ARM BAR (22) WITH THE PHILLIPS HEAD BOLT (21).



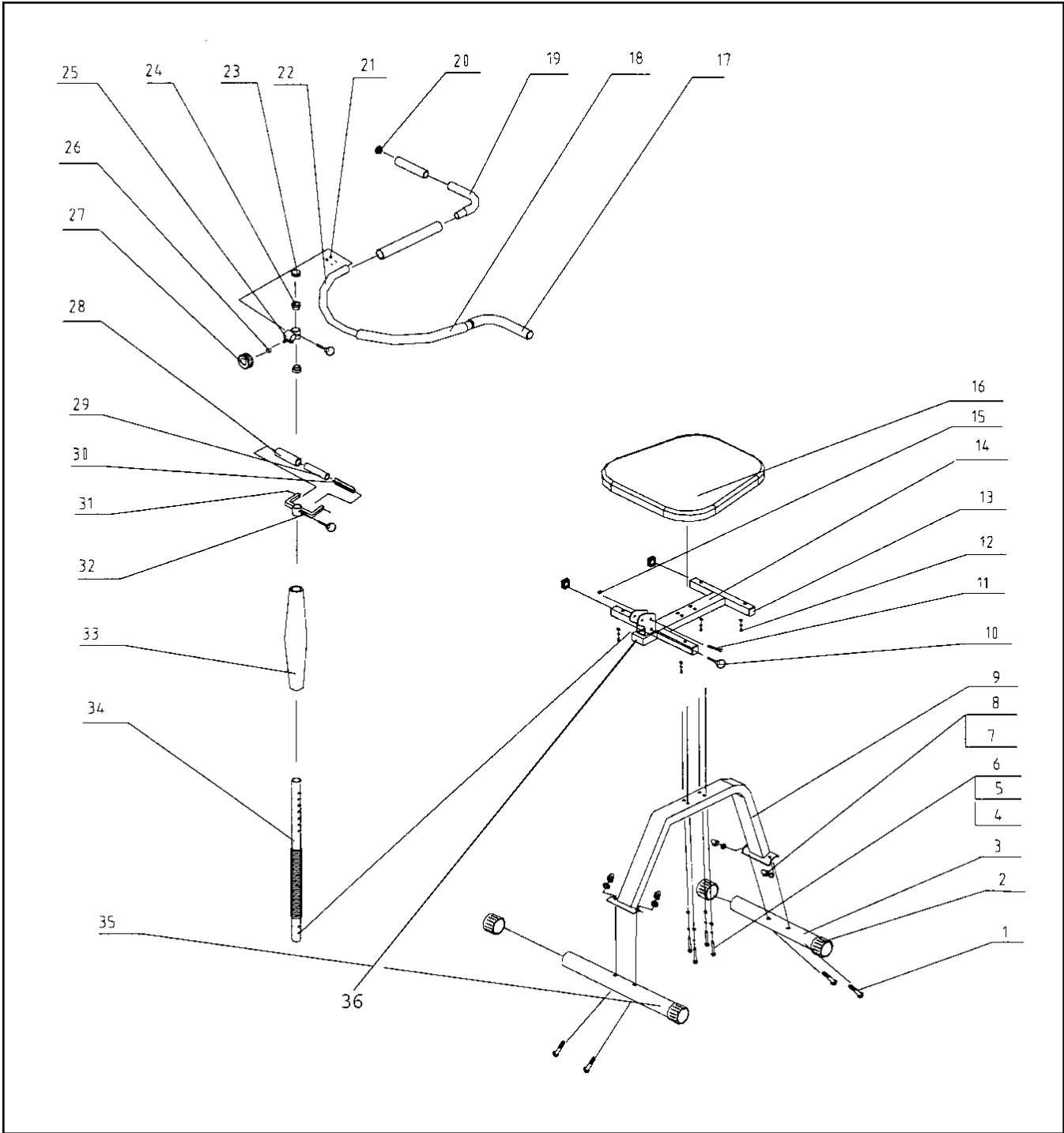
STEP 4

Attach the FRONT STABILIZER (3), the shorter one, onto the FRONT BASE FRAME (9) with CARRIAGE BOLTS (1) ARC WASHERS (8) and ACORN NUTS (7). Repeat for the REAR STABILIZER (35) which is longer.

STEP 5

Lay the unit on its side. Attach the top half of AB-DOer to the BASE FRAME (9) with HEX HEAD BOLTS (4), SPRING WASHER (5) and FLAT WASHER (6).

PRODUCT PARTS DRAWING



PRODUCT PARTS LIST

PART NO.	DESCRIPTION	QUANTITY
1	CARRIAGE BOLT	4
2	END CAP	4
3	FRONT STABILIZER	1
4	HEX HEAD BOLT	4
5	SPRING WASHER	4
6	FLATWASHER	4
7	ACORN NUT	4
8	ARC WASHER	4
9	BASE FRAME	1
10	PULL PIN	3
11	BOLT	1
12	SCREW	4
13	SQUARE PLUG	4
14	SEAT FRAME	1
15	LOCK NUT	1
16	SEAT	1
17	FOAM TUBE A	2
18	FOAM TUBE B	2
19	HAND GRIPS	2
20	HANDLE BAR PLUG	2
21	PHILLIPS HEAD BOLT	4
22	ARM BAR	1
23	ROUND PLUG	1
24	PLASTIC BUSHING	2
25	CONNECTION BUSHING	1
26	LOCK BUSHING	1
27	LOCKING KNOB	1
28	MASSAGE ROLLER	1
29	ROLLING TUBE	1
30	INNER SUPPORT BAR	1
31	SCREW	2
32	MASSAGE ROLLER BRACKET	1
33	BACK FOAM PAD	1
34	SPRING SET	1
35	REAR STABILIZER	1
36	RECTANGLE PLUG	1



AB-DOs

For best results follow these AB-DOs!

- Please consult a professional trainer, licensed fitness authority, or physician before attempting this or any exercise machine or program.
 - Use only on a level surface.
 - Follow any one of the instructional video routines which compliment your level of fitness.
 - Sit upright on the AB-DOer placing your back against the massage roller and your buttocks approximately 2 - 4 inches from the upright bar. The massage roller is adjustable, so adjust it until it is comfortable.
 - To ensure stability and balance, place your feet on the floor wider than shoulder width apart.
 - Secure a firm grip on the handles and tuck the Arm Bar underneath your armpits. The AB-DOer offers an adjustable height Arm Bar. So position Arm Bar to a level that is suitable and comfortable for your height. And make sure you are sitting upright to decompress the spine.
 - The function of the AB-DOer is to strengthen and firm all the midsection muscles. DO NOT PULL WITH YOUR ARMS, otherwise you will engage upper body muscles.
 - To begin any session, just move slowly and easily. Short movements will begin to limber up stiff or unconditioned waistline and back muscles. As your conditioning builds you will want to move through wider ranges of motion and increase your movement speed.
 - When you fatigue during an AB-DOer session, simply:
 1. Slow down the speed of each movement, or
 2. Transition to another movement, or
 3. Reduce the range of motion, or
 4. Stop, you've had enough – great job. You finished your workout today! (Note: Don't stop until you have had a challenging workout.)
 - An important feature of the AB-DOer is the great aerobic workout you obtain. Stay moving for the period of time listed on the video. To maintain an aerobic time duration, as you fatigue from one movement simply transition to another, but keep moving.
 - Use the AB-DOer to help loosen up and help relieve stiffness of back muscles, before and after playing your favorite sport, or before and after lifting weights. This is especially helpful if you sit or stand all day or are involved in strenuous labor.
 - I do not recommend adding resistance to abdominal and/or mid-section exercises. Adding resistance has a tendency make the muscles bigger (hypertrophy), not smaller. If you want more resistance, you can try any of the following:
 1. Slow down the speeds of your movements, or
 2. Perform larger or exaggerated ranges-of-motion. This will place more anaerobic emphasis on the muscles, or
 3. Stop and hold your body in various positions for a short period of time to increase the flexion time or power of each contraction, or
 4. Position the Arm Bar over your shoulders to increase the resistance leverage.
 - Concentrate your mental focus on your mid-section muscles and your lower back only.
 - If at first your movements seem awkward, don't get alarmed. Your midsection muscles and lower back are most likely out of shape. These muscles aren't accustomed to the workout that's provided with the AB-DOer. Just give it time and you will become accustomed.
-

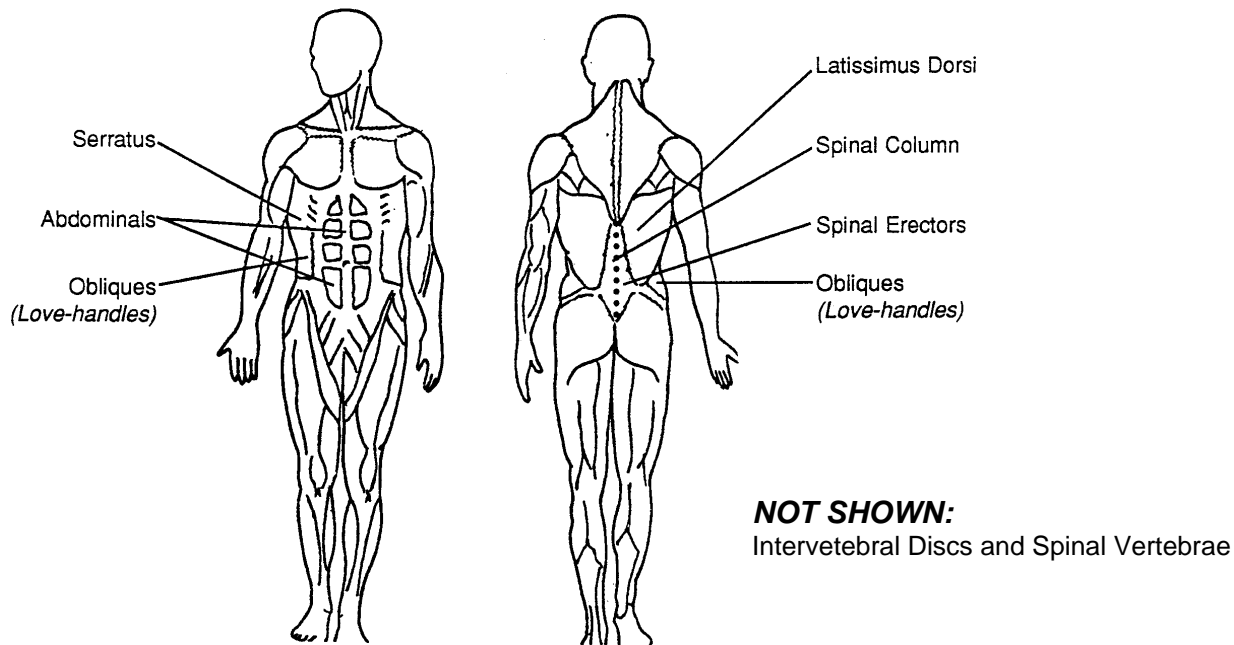
AB-DOer's

Now for the AB-DOer's!

- Don't place your feet together; they must be wide and flat and firmly planted on the floor.
- Don't look down, instead keep your chin up and eyes forward. This will prevent your upper back from slouching and help keep your spinal column straight and upright.
- Don't perform any fast movements until your muscles have had a chance to adjust to their new exercise routine.
- Don't perform extreme ranges of motion until your midsection muscles and lower back have become more flexible.
- Don't pull the Arm Bars with your hands. Instead, let your midsection muscles perform all the work.
- Don't count repetitions. Rather, treat your AB-DOer workouts like any other aerobic activity. You wouldn't count steps on a treadmill or stepper. Instead, just have fun and "dance" from a seated position.

John Abdo's AB-DOer™ does it all!

It targets the **ABDOMINALS**,
 It targets the **SPINAL COLUMN**,
 It targets the **MUSCLES OF THE LOWER BACK**,
AND It targets the **THE OBLIQUES**, those nasty **love handles** everybody desperately wants to eliminate.



FLEXIBILITY & WARMUP PROGRAM

Designed by John Abdo

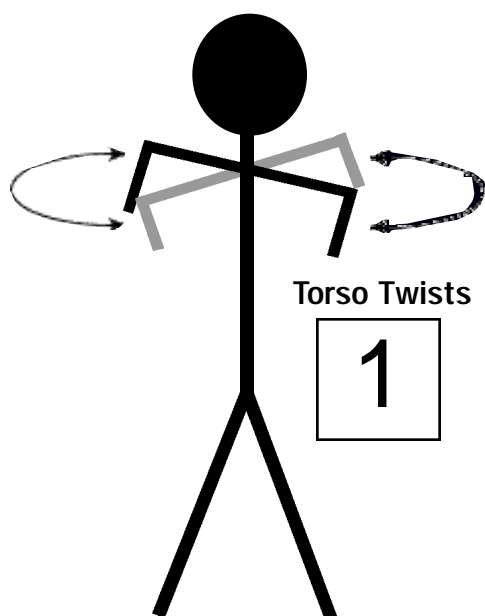
A flexibility or warmup program is an important aspect of all fitness or health routines. Typically, warmup routines comprise any number of mobility movements which are intended to condition the body to move more freely during activity. When you become more flexible you will realize better performance in all your sports and exercise routines while, as an added bonus, you will also feel much healthier ALL THE TIME!

Performing warmups consistently not only conditions the muscles, you will also reach deeper tissues like the ligaments and tendons of your body.

Before using your AB-DOer it is wise to spend some time conditioning your body with stretching movements to allow you to become more flexible. I have intentionally designed The AB-DOer instructional video to include both a warm-up and a cool-down period on the unit itself. This prepares you for your workout while it helps to speed post workout recovery as well. So you have the option of performing warmups outside of those you can perform on The AB-DOer as well as those you can't.

My objective is to make sure that you get healthy while you're striving to obtain your best shape ever. I have designed The **AB-DOer** and its routines to enable you to quickly, enjoyably, and safely reach your goals. **I'm A DOER**, and I encourage you to commit to becoming a "**DOER**" yourself!

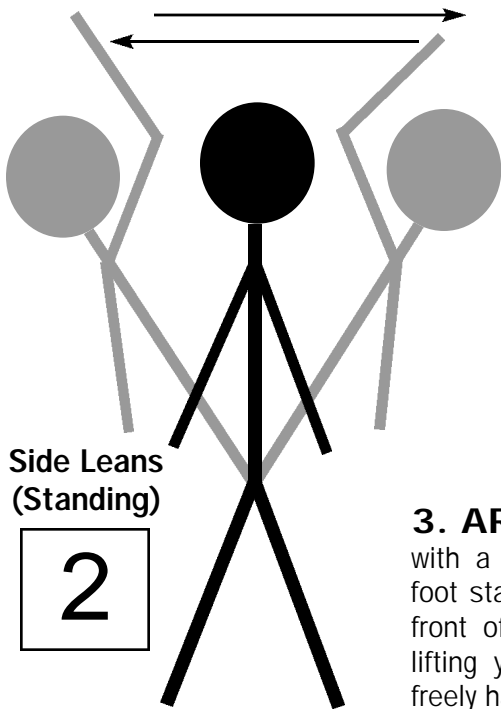
DESCRIPTIONS



1. TORSO TWISTS: While standing with a slightly wider than shoulder-width foot stance, fix your eyes on an object in front of you. Hold your torso upright by lifting your chest then lift both arms, bending them at the elbows. While keeping your focal point, slowly pivot, or twist, at your midsection as far as you can to the right then, without any jerking motions, rotate in the opposite direction past your starting point twisting as far to the left as your flexibility will permit. Try to obtain a rhythmical cadence as you twist from side to side. This simple movement will loosen up stiff and unconditioned muscles, tendons and ligaments to the entire abdominal region, the obliques and the mid-to-lower back, including the spinal column in that region. Perform as long as you like, 30 seconds minimum.

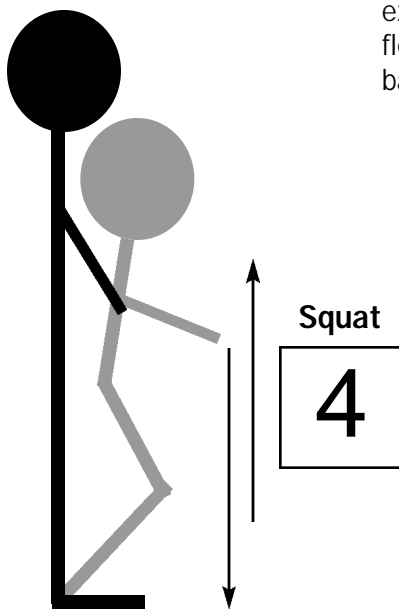
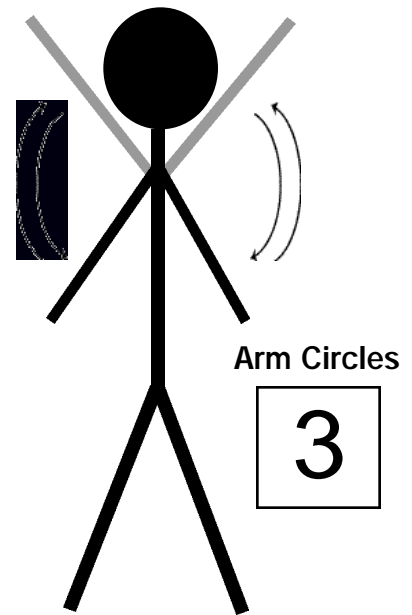


DESCRIPTIONS (continued)



2. SIDE LEANS: [Standing]: While standing with a slightly wider than shoulder-width foot stance, fix your eyes on an object in front of you. Hold your torso upright by lifting your chest then lean to your right side as far your flexibility will permit, while keeping both feet planted on the floor for balance. Reach your farthest, most comfortable lean, without any jerking motions. Then rotate to the opposite side leaning as far to your left as your flexibility will permit. Try to obtain a rhythmical cadence as you lean from side to side. This simple movement will loosen up stiff and unconditioned muscles, tendons and ligaments to the obliques, the mid-to-lower back and the entire spinal column, and the entire abdominal region. Perform as long as you like, 30 seconds minimum.

3. ARM CIRCLES: While standing with a slightly wider than shoulder-width foot stance, fix your eyes on an object in front of you. Hold your torso upright by lifting your chest allowing both arms to freely hang to each side. Slowly start to lift your arms in front of you, keeping your elbows rigid if possible, and make large circles with both your arms. Perform 5-10 circles with your arms in this direction then reverse directions and perform 5-10 more circles. Always perform this motion slowly with no jerky movements. This simple exercise will strengthen and increase the flexibility to the shoulders, chest, upper back, neck and arms.

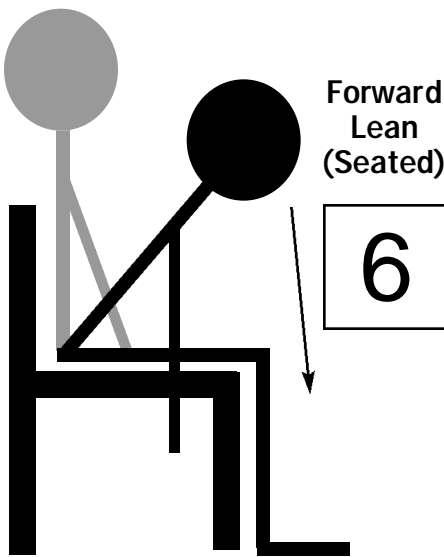
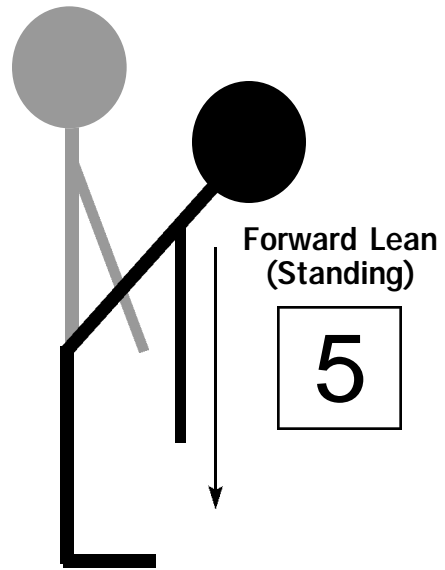


4. SQUAT: While standing with a slightly wider than shoulder-width foot stance, fix your eyes on an object in front of you. Hold your chest upright to obtain an erect back posture. Bend slowly at the knees and allow your body to lower itself toward the floor. Only squat down as far as you feel comfortable or until your heels start to raise off the floor. Use your arms for balance by moving them in front of you if necessary. Squat down slowly and never bounce back up. Perform as many squats as you feel comfortable with, 5-10 is a preferred minimum. Squats are an incredible exercise for developing body balance and control while strengthening the muscles of the thighs, hips, buttocks, groin area, calves and ankles.

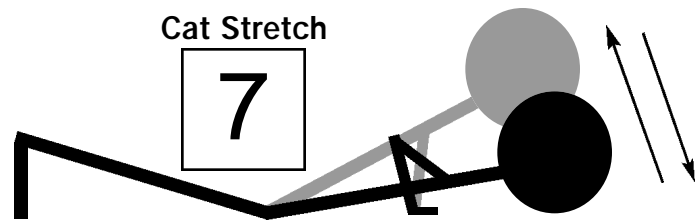


DESCRIPTIONS (continued)

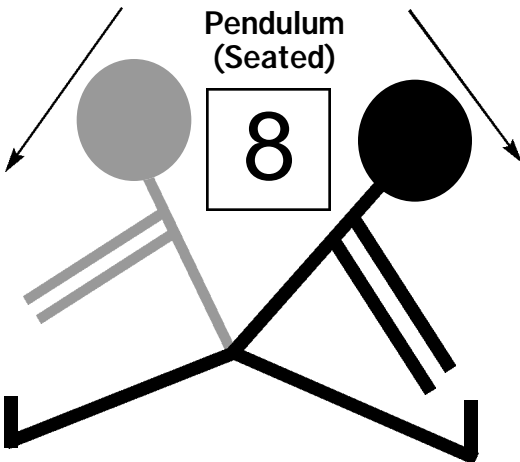
5. FORWARD LEAN: [Standing]: While standing with a shoulder-width foot stance, lift your chest so your back is upright and your spine is erect. Bend your torso at the waistline and allow yourself to lean forward. Simply let your arms hang or use them to grab onto a wall or a chair for balance if needed. Lean forward as far as you feel comfortable and hold your deepest, most comfortable forward position, then return to the upright position, make sure you do not bounce. Do this movement slowly as it may have a tendency to make you a little dizzy due to the lowering and lifting of the head. Perform between 3-10 forward leans. This movement is great for conditioning the mid-to-lower back and spinal column, the buttocks and hamstrings. [If standing is uncomfortable please try exercise #6.



6. FORWARD LEAN: [Seated]: While seated on a bench or chair obtain a firm shoulder-width foot stance on the floor. Lift your chest so your back is upright and your spine is erect then bend forward at the waistline allowing yourself to lean forward as far as you feel comfortable and hold your deepest, most comfortable forward position for 3-5 seconds before returning to your upright seated position. Make sure you do not bounce. Do this movement slowly as it may have a tendency to make you a little dizzy due to the lowering then lifting of the head. Perform between 3-10 forward leans. This movement is great for conditioning the mid-to-lower back and spinal column, the buttocks and hamstrings.



7. CAT STRETCH: Lay face down with the palms of each hand planted firmly onto the floor just lateral your chest. By keeping your legs and pelvic/hip region pressed against the floor push your upper body upwards with your arms to allow you to perform a backward bend from your lower back. Press yourself up as high as you feel comfortable then hold for a count of 1-3 seconds then slowly lower yourself back to the floor; repeat 3-5 times. Never over extend and always perform this motion slowly. This is a great movement for conditioning the abdominals with added benefits to the shoulders, arms, chest and back.



8. Pendulum: [Seated]: While seated on the floor spread your legs as far as you feel comfortable with knees locked. Start by bending your body at the waistline, and lean toward your right ankle or foot. Reach as far as your flexibility will permit then hold this position for 1-3 seconds. Release slowly and return back to your starting position then lean toward your left ankle or foot and repeat this movement for a minimum of 3-5 times to each side. This exercise will condition the hamstrings, buttocks, knees, ankles and mid-to-lower back and spinal column.

HERE'S YOUR WORKOUT ROUTINE – HAVE FUN!

NOTE: All movements begin from a seated upright position; this is known as the Starting Position (SP). Place both feet in a wide stance, sit upright with your back pressed against the massage roller, and pull the Arm Bar firmly underneath your armpits to decompress your spine and maintain an upright posture.



1) BODY BOBS: (Lateral Bending):
 Sit upright in the Starting Position (SP) then lean to the right side with your torso (STEP 1), pause momentarily. After you reach the right lean position come back to the upright SP (STEP 2), pause momentarily before proceeding to lean over to the left side (STEP 3), pause momentarily then return to the SP (STEP 4). Repeat this cycle.

This drill works ALL of the midsection muscles with emphasis to the oblique and low back!

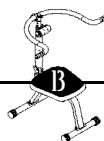


2) GOOD MORNINGS: (Forward/Rearward Bending):
 Sit upright in the SP then proceed to lean forward bringing your chest toward your knees (STEP 1), pause momentarily. After you reach this position return to the upright SP (STEP 2), pause momentarily before proceeding to lean rearward (STEP 3). After reaching this position (STEP 3), pause momentarily, then return to the SP (STEP 4). Repeat this sequence.

Although this drill works ALL of the midsection muscles, more emphasis is placed on the abdominals and the lower back!

3) BODY BOOGIES: (Circular; Clockwise and Counter-clockwise):
 Sit upright in the SP then lean forward bringing your chest towards your thighs SP1. Once you reach this position (STEP 1), begin to rotate your torso to the right in a circular fashion until you perform a complete circle with your upper body (STEP 2). Start slowly with little circles, then as you warm up, increase the size of the circle. Rotate in the opposite direction.

This drill is incredibly effective for working ALL the midsection muscles, no muscle is ignored!



WORKOUT ROUTINE (continued)



4) TWIST & SHOUT: (Twists):

Sit upright in the SP then twist, or rotate, your torso leading with your right hand (STEP 1), pause momentarily. Return to the SP position (STEP 2), pause momentarily then proceed to twist to the opposite side leading with your left hand (STEP 3), pause momentarily. Return to the SP (STEP 4), and then repeat the entire cycle.

This drill works ALL of the midsection muscles; abdominals, obliques, lower back, ALL OF THEM!



5) TOSSES:

Start with your chest near your legs (STEP 1) [this is the starting position]. Begin to sit upright while twisting your torso so your right shoulder is lifting faster than your left and proceed past the upright SP until your torso is leaning rearward (STEP 2), pause momentarily then proceed to sit upright this time leading with your left shoulder; proceed until you are leaning rearward again (STEP 4). Pause momentarily then return to the starting position (STEP 5). Repeat the entire cycle.

Although this drill works ALL of the midsection muscles, more emphasis is placed on the lower back, obliques, and abdominals.

6) HOP SCOTCH:

Sit upright in the SP then start to lean forward bringing your right hand toward the top of your right knee (STEP 1), pause momentarily. Now lift yourself and lean rearward crossing the SP diagonally leading with your left shoulder as you lean rearward (STEP 2), pause momentarily. Now bring your left hand down to your left knee (STEP 3) pause momentarily. From this position, lean rearward crossing the SP diagonally leading with your right shoulder as you lean rearward (STEP 4), pause momentarily. Now bring your right hand back down to your right knee (STEP 5), pause, and repeat the cycle.

Although this drill works ALL of the midsection muscles, more emphasis is placed on the lower back, obliques, and abdominals.



WORKOUT ROUTINE (continued)



7) FIGURE 8s:

Sit upright in the SP then start to move your torso and midsection so your hands scribe the Figure 8 (don't pull with the arms or hands). Really concentrate on making the most perfect "8" figure you can. Once you master this figure, try reversing your motion to scribe a perfect figure 8 in the opposite direction.

Although this drill works ALL of the midsection muscles, more emphasis is placed on the obliques and abdominals.



8) STREET BRAWL:

Lean forward so your chest is near your thighs and your hands are close to your knees. By radically pivoting from side-to-side in short little bursts, try to punch your knees in alternate fashion. You can lift your chest away from your knees and still maintain a pivoting punching action.

This drill places a lot of emphasis to the abdominals and obliques.

NOTE: To increase the challenge, instead of pausing at the various points suggested, move gracefully through the entire cycle without hesitation. You can also increase the challenge by positioning the Arm Bars over your shoulders. Performing your drills in this manner will be for Intermediate and Advanced level AB-Doer participants, indicating a greater degree of skill improvement and muscle control! If you fatigue in any position simply:

1. Change to another movement, or
2. Slow down the speed, or
3. Reduce the range-of-motion, or
4. Return the Arm Bar to underneath your arms, or
5. STOP, your workout has ended – congratulate yourself.

SUGGESTED ROUTINES

BEGINNER – 8 MINUTES

Start – Warm-up for 2 minutes

BODY BOBS – 1 minute

GOOD MORNINGS – 1 Minute

BODY BOOGIES – Clockwise – 30 seconds
Counter Clockwise – 30 seconds

You may increase the range of motion and pace at this point.

BODY BOBS – 1 minute

GOOD MORNINGS – 1 minute

BODY BOOGIES – Clockwise – 30 seconds
Counter Clockwise – 30 seconds

COOL-DOWN

Special notes:

Perform routine every other day; no more than 4 times weekly.

After 2 to 4 weeks you might be ready to graduate to the Intermediate routine.

INTERMEDIATE – 12 MINUTES

Start – Warm-up for 2 minutes

BODY BOBS – 1 minute

GOOD MORNINGS – 1 Minute

BODY BOOGIES – Clockwise – 30 seconds
Counter Clockwise – 30 seconds

FIGURE 8s – 1 Minute

You may increase the range of motion and pace at this point.

TWIST & SHOUT – 1 Minute

TOSES – 1 Minute

{Raise Arm Bar over your shoulders}

BODY BOOGIES:

Clockwise – 1 Minute

Counter Clockwise – 1 Minute

TOSES – 1 Minute

BODY BOBS – 1 Minute

COOL-DOWN

Special notes:

Perform routine every other day; no more than 4 times weekly.

Add 2 to 6 minutes to entire routine if you are capable.

After 2 to 4 weeks, you might try to graduate to the Advanced routine.

Key Points for all Routines

- Obtain a wide stance!
- Sit upright with back pressed against massage roller!
- Pull Arm Bar underneath your armpits!
- Follow all drills as assigned in sequence without hesitation!
- Limber up your lower back and midsection muscles before using the AB-DOer™!
- To obtain a productive ABDOBIC workout, Abdominal Aerobic, remain in constant motion while using The AB-Doer™!
- Be creative!
- Listen to music!
- Have fun!

Please refer to the instructional video for proper exercise demonstration and explanation.



SUGGESTED ROUTINES (continued)

ADVANCED – 20 MINUTES

Start – Warm-up for 2 minutes

BODY BOBS – 45 Seconds

GOOD MORNINGS – 45 Seconds

BODY BOOGIES – 45 Seconds – Clockwise
45 Seconds – Counter Clockwise

[You may increase the range of motion and pace at this point]

TWIST & SHOUT – 1 Minute

TOSSES – 1 Minute

HOP SCOTCH – 1 Minute

FIGURE 8s – 1 Minute

STREET BRAWL – 1 Minute

[Raise Arm Bar over your shoulder]

BODY BOBS – 1 Minute

GOOD MORNINGS – 1 Minute

BODY BOOGIES

1 Minute – Clockwise

1 Minute – Counter Clockwise

TWIST & SHOUT – 1 Minute

TOSSES – 1 Minute

STREET BRAWL – 1 Minute

[Lower Arm Bar under armpits]

HOP SCOTCH – 1 Minute

FIGURE 8s – 1 Minute

BODY BOOGIES – 30 Seconds – Clockwise
30 Seconds – Counter Clockwise

COOL-DOWN

Special notes:

Perform routine every other day – no more than 4 times a week.

After you've mastered the Advanced routine, you can increase your time to 30 minutes, or more.

You might also enjoy choreographing your own routines.

BACK & SPINE STABILIZER – 5 MINUTES

Start

BODY BOBS – 30 Seconds

GOOD MORNINGS – 30 Seconds

BODY BOOGIES – 30 Seconds – Clockwise
30 Seconds – Counter Clockwise

[You may increase the range of motion and pace at this point]

BODY BOBS – 45 Seconds

GOOD MORNINGS – 45 Seconds

BODY BOOGIES – 45 Seconds – Clockwise
45 Seconds – Counter Clockwise

COOL-DOWN

Special notes:

Move slowly and easily.

You may perform this routine once or even twice per day. It's ideal to use after you get out of bed in the morning, or before retiring in the evening. It's also great to use as a Warmup and Cool-down when engaging in any strenuous activity.

This is NOT a workout. Only use it to relieve stressed out, tight, and sore muscles.

INSTRUCTIONAL VIDEOS available for the AB-DOer™.

- 1. Beginners 2. Intermediate 3. Advanced 4. Back and Spine Stabilizer**



AB-L-Der™

Nutritional Guide

Any medical or health-related information contained in this book is not intended as a substitute for consulting your physician. Any attempt to diagnose or treat any illness or medical condition should come under the supervision of a qualified physician familiar with your personal medical history.

The information contained in this book, and the Weight Loss System described herein, are intended for use by normally healthy individuals as part of a general program of improvement of body appearance.

CHECK WITH YOUR PHYSICIAN BEFORE STARTING ON THIS OR ANY PROGRAM OF PHYSICAL CHANGE.



FOOD and HOW TO CONTROL IT

DON'TS

- 1) Avoid going on repeated diets, each of which usually sets you up to regain everything you lose, and then some, just as soon as you “go off” your diet. Instead, follow the simple guidelines below.
- 2) Don't add any fat or oil to anything you eat... ever! This is by far the most important rule to remember, and it cannot be overemphasized. The words “added fats and oils” have a very specific and special meaning here, referring to all those unnatural fats and oils that humans manufacture, process, and add to the food they eat. There are no such things as added fats and oils in nature. They just don't exist. NATURE makes corn... HUMANS make corn oil, margarine and deep-fried food. NATURE creates soybeans and peanuts... HUMANS manufacture soy oil, mayonnaise, and peanut oil.

It is very important to avoid ALL added fats and oils, not just because they'll make you fat, but because they'll also make you sick, linked as they are to such disorders as breast and colon cancers, heart disease, and other serious illnesses.

Eliminating added fats and oils means avoiding:

- Margarine,
- Mayonnaise,
- Olive Oil,
- Butter,
- Oily salad dressings,
- Chips of all kinds (unless they're baked),
- Fried foods,
- French fries,
- Cream cheese,
- Ice cream,
- Lard,
- and any other manufactured fat or oil.

Note that if you don't like salads without dressing — try lemon juice and seasoning salt. It's delicious! Or... try any of the oil-free salad dressings now widely available.

All the above-listed items are horrible for you. But the hydrogenated products such as margarine, mayonnaise, and all heated fats and oils are the worst, as they are high in trans fats, substances that form when fat or oil is heated or heavily processed. Trans fats are directly implicated in the onset and/or exacerbation of obesity, cardiovascular disease and cancer. Avoid these “foods” at all costs.

- 3) Try to avoid processed foods high in sugar and white flour. Check your labels and do not eat anything that has too much of these items in the ingredient list, as they too contribute to obesity and ill health.
-

DOs

- 1) ALWAYS BALANCE YOUR FOOD INTAKE -- so that your intake of carbohydrates (all flour products such as bread, pasta, etc., and all sweet foods) approximately matches your intake of protein (e.g., meat, fish, fowl, egg, milk products, soy products). You may do this by simply eyeballing the foods you are eating. Example: if you have a dish full of pasta in front of you (high carbs) then you need to balance it with what you approximate to be an equal amount (by volume or better, by weight) of high protein food. The best high protein foods are those fat-free turkey or chicken breast deli slices found in the deli section of your supermarket. They are inexpensive, and they are pure protein, with NO fat, NO carbs. Note that egg whites are also pure protein, and may be eaten in just about any (reasonable) quantity.
- 2) DRINK PLENTY OF WATER! Try to drink eight 8 ounce glasses of water each day, or more. It is usually best to use bottled spring or distilled water, since the water in most areas today is heavily treated with chlorine and other unhealthful chemicals.
- 3) The BEST possible foods to eat are green vegetables: eat all you want of them (within reason, of course). And remember not to ruin things for yourself by adding oily salad dressings!

There are several vegetables that actually use up more energy getting digested than they bring to your body. The digestion of any food requires an expenditure of energy by the body. Once the food is digested, it releases its own stored energy in the form of calories, which are then either used ("burned") or stored, mostly as fat. Sometimes, the number of calories in a food is lower than the number of calories it takes to chew and digest it. The act of eating, for example, celery or cucumber, can be a weight losing proposition all by itself — without exercise or anything! Now isn't that interesting...?

Vegetables whose digestion can use more calories than they contain include:

- | | |
|---------------------------------------|-----------------------------------|
| • Alfalfa sprouts | • Garlic |
| • Beet greens | • Lettuce |
| • Broccoli - (a close call) | • Mushrooms |
| • Cabbage | • Peppers - (a close call) |
| • Cauliflower - (a close call) | • Radishes |
| • Celery | • Seaweeds of all kinds |
| • Chard, Swiss | • Spinach |
| • Chives | • Tomato - (a close call) |
| • Cucumber | • Turnip greens |
| • Eggplant - (a close call) | • Water chestnuts |
| • Endive | • Watercress |

FOOD PREPARATION

This subject could fill a book all by itself. The essential point to remember is, once again, to avoid added fats and oils! Do not fry with oil. Use non-stick pans and fry with water. A little experimentation and you'll see how easy this is. Also remember that any menu that contains oil, butter or margarine can easily be made as well or nearly as well without those ingredients. You must experiment to apply this concept to every one of your favorite recipes, but the reward for doing so is very high. It will mean better and better health as well as greater and greater success.

FOOD TIMING

The best way to arrange your food day is to spread out your daily intake into several meals, as opposed to eating, say, one large meal per day. Studies have shown that when two comparable groups of people eat the same number of calories but on different schedules, the group that eats one large meal per day gains weight and feels worse, while the group that spreads its calories out during the day feels better and gains no weight.

Other studies indicate that when food is eaten late in the day, closer to bedtime, weight is gained as compared to no weight gain when the same food is eaten earlier in the day.

Therefore, LARGEST MEAL= Lunch, SMALLEST MEAL= Dinner, MODERATE MEAL= Breakfast.

This is the optimal way to arrange your days. The typical large dinner with which most people are familiar is problematic because the natural daily rhythms of the body are such that evening is when it is preparing for rest, not a large meal. More importantly, food eaten late in the day is much more likely to be converted to stored body fat. So eat a very light meal for dinner — salad, perhaps soup and a small side dish. Not much more. Remember: food eaten this late will almost certainly be converted to body fat; and body fat, once accumulated, comes off much slower, and with much greater difficulty, than it goes on - a fact with which many people are already familiar.

Breakfast can go either way. If you're hungry in the morning, by all means, eat away. If not, eat lightly. Follow your body's signals.

Lunch is the perfect time to eat your largest meal of the day, if you have one. There's plenty of time left to burn it off, and the satiety will probably last well into dinnertime, thereby helping to keep dinner small.

WHEN TO EAT; WHEN TO STOP

Naturally thin people typically follow both of these two simple patterns:

- 1) Eat only when hungry; and
- 2) Stop eating when no longer hungry.

This is how primitive man ate, a good indication that it is the way nature intended. Most of us have been conditioned to eat when it's time to eat: lunchtime, dinnertime, breakfast. But the truth is that it is far more natural to eat when you're hungry. That means truly hungry, not just craving food. As much as possible, try to follow this simple but powerful principle of eating.

The second timing principle - to stop eating when you're no longer hungry - is also very powerful, but may contradict some childhood training. Remember "Eat! Children are starving in India/Somalia/wherever...?"

That may be true, but it is certainly no reason to stuff yourself. Childhood lessons are not always good ones. The most natural time to stop eating is when you're full, which is, surprisingly, not what most of us do. This principle means that you should stop even if 95% of the food is still left on your plate or if only 5% is left. It doesn't matter. The amount of food on the plate is of no importance; it is completely arbitrary and irrelevant to your body's needs. What is important is only how you feel. If you're satisfied... if the hunger is gone... STOP.

If you can master these two basic eating concepts, you will, to a large extent, master your nutritional and weight situation forever.

RESTAURANT EATING

This is a particularly troublesome area. Restaurants, for some unknown reason, love oil. Even simple salads are drowned in truly ridiculous amounts of oil. This abuse of oil is the single biggest problem with eating in restaurants.

Food freshness is also an area of concern. Fish, poultry and meat, in descending order, are most likely to be problematic. Be careful. Ask plenty of questions, particularly about freshness. If there is any reason to believe your food is not fresh, order something else, or leave.

When ordering in a restaurant follow these simple rules:

- Always ask how much oil is in the dish(es) you wish to order.
- Insist that the dish(es) you want be made with no oil, or at worst, a very small amount.
- Refuse any offer of sprinkled cheese to go over your food.
- Order salads with vinegar dressing only, or lemon wedges that you can squeeze onto the salad. If you must order dressing from the house, get one that separates, like vinaigrette, so that you can pour off the oil that floats on top, using only the tasty part below the oil. Or bring your own, healthful salad dressing.
- Never order anything that is deep fried! Remember to ask about this, because there are many more foods that are deep fried than is obvious from most menus. For example, Italian restaurants often deep fry their “eggplant parmigiana”. You must ask, and avoid all foods that are so prepared.
- Avoid creamy foods. Many dishes that are normally prepared with cream are just as tasty without it. Ask the kitchen to prepare it the way you want it.
- Order a salad first, the larger the better, and ask that it be brought out immediately. Avoid the oily/cream dressings, and eat the salad as soon as it comes out. This will help “take the edge off” your hunger, help you resist the temptation to eat those unhealthy white flour rolls and butter, and get you started in the right direction.
- Try to resist the temptation to order dessert. If you must do so, get one that is as close to “real recognizable food” as you can get. A cup of fruit, or a fruit tart may do. In any event, avoid the creamy cakes and pies.
- In general, do not be afraid to ask for what you want. If they say “no”, say “good-bye”. There are plenty of restaurants that will be only too happy to accommodate you, so don’t put up with anything less than what you know is right for your body.

CHEATING (INDULGING)

OK, we all know you’re going to do it. Nobody’s perfect.

That’s why we use that well-worn euphemism... “indulging”, instead of “cheating”.

The secrets of success are:

- (a) Use the tips outlined below to help STOP your cravings, and thereby your cheating!
- (b) Don’t “indulge” too often, and
- (c) If you do cheat, choose ways that are not so bad for you; i.e., minimize the damage.

There is no quota for “cheating”. We urge you to strive for perfection. If you find yourself succumbing once in a while, consider it cheating, not your “quota of bad stuff for the week”. You should always strive to reject your old, bad ways — to renew your dedication to yourself and to the new body and health you are determined to achieve.

But if you are going to cheat, at least don't eat all of whatever you're cheating with. Leave some to throw out. That way you'll get in the habit, and someday you may find yourself throwing it out before you eat it!

HOW TO HELP PREVENT CRAVINGS

1) BREAK THE CYCLE!

- **Food quality:** This is the most important factor you can change in the area of negative food cycles. Avoid all junk food. Avoid all foods that trigger cravings. Avoid all added highly processed foods. Eat real, recognizable food.
- **Avoid all added fats:** The most important diet principle of all. Added fats and oils (a) make you fatter faster than anything else you can do or eat, (b) increase your risk of heart disease and cancer, and shorten your life, and (c) can cause you to crave sweets, which in turn further damage your health and increase fat levels.
- **Avoid sugar:** Refined white sugar (table sugar) is damaging to your health in many ways, and will (a) directly cause weight gain, and (b) cause cravings for fats that will further cause weight gain.
- **Drink plenty of water:** This is an easy, healthful way to help avoid cravings. Often, a perceived craving for food, particularly fatty food, may be satisfied with a cup or two of water! Drinking plenty of water also helps to naturally control appetite through a direct effect on the stomach. Always drink pure, fresh water; avoid tap water laden with chlorine and other chemicals. Aim for at least 6-8 cups of water per day.
- **Try brushing your teeth instead of eating!** Often, a craving for a particular food, especially high-fat, high-sugar food, is caused by something no more complicated than a bad taste in the mouth. A quick, refreshing tooth brushing or mouthwash rinse will often get rid of cravings immediately and painlessly.
- **Food timing:** Do not skip breakfast; this only leads to hypoglycemia and severe cravings sometime around mid-morning, which may, in turn, cause you to eat cookies or doughnuts with coffee and sugar, which in turn can set you up for a roller-coaster blood sugar ride for the rest of the day. Not a good idea.
- **Avoid eating anytime within three hours of bedtime.** Not eating anything near bedtime can lower your fat levels and can change your eating patterns so that you are hungrier in the morning, leading you to indeed eat a small-to-moderate breakfast. This in turn helps control your mid-morning cravings.

If you need to snack between meals, eat some fresh vegetables, or fat-free turkey deli slices, or a whole grain (not white flour) product, or some fruit.

- **Meal size:** A pattern of smaller, more frequent meals throughout the day is much more conducive to craving control than a pattern of starvation or mild snacking during most of the day combined with one large (often very large) daily meal. Studies have also shown that spreading food intake throughout the day helps in the weight loss effort, while concentrating calories all in one large meal sabotages it.
 - **Avoid overly salted foods,** if they lead to sugar cravings or if you suffer from kidney disease or high blood pressure.
 - **Eat slowly:** This will help minimize the effect of cravings, because you will find that you are satisfied sooner than you would be if you were wolfing your food down.
-

- Vary your diet: Useful when food allergies are suspected. Try to avoid eating any single food, such as milk or milk products, bread or other wheat products, eggs, meat, corn, soy, and any other potentially allergenic food too often. Rotating your diet, so that you do not consume any single allergenic food more often than once every three to four days is the easiest way to accomplish this.
- Try the following trick: Carry with you a small pad of paper on which to write down everything you decide to eat before you actually eat it. This will introduce an important time delay during which you are writing down what you're about to do. There is a good chance you will often find yourself changing your mind.

NUTRITIONAL SUPPLEMENTATION

It is often thought that a good, balanced diet should contain all the nutrients your body needs. But in today's world, with mass food production and soil depletion, it usually doesn't. And besides, how many of us really eat a "good, balanced diet"?

For these reasons, and because optimal nutrition is especially important during a period of active fat metabolism and breakdown, we recommend that a good multi-vitamin-mineral be taken regularly.

TIPS:

- One-pill-a-day multi-vitamin preparations are usually poor in quality and not very helpful. Better quality formulas require at least 3 tabs/caps per day. Multi-nutrient formulas should usually always be taken with at least some food. This helps improve absorption, prevent abdominal discomfort, and prevent the "niacin flush" that sometimes otherwise occurs.
- Look for a formula that contains a full range of B vitamins, vitamins A, C, E and D, and a full complement of minerals. Vitamin B6, magnesium and chromium are particularly important, yet often deficient in typical diets.
- Many people benefit additionally from taking extra Essential Fatty Acids, vitamin C, and sometimes, a digestive enzyme called bromelain.
- The best place to find high-quality, complete nutritional supplementation is usually your local health store.
- Finally, don't forget to drink plenty of clear, pure water to help flush out all those toxins your body stores along with its fat.

GOOD JUDGEMENT

In general, use your good judgment. Do not overdo anything. Keep all nutritional supplementation to levels consistent with what nature intended for the human body.

And look at the ingredient list of any packaged item you put in your mouth. Look at the source. The maker of a food or food supplement should be a reputable company, with qualified experts doing the formulations.

IF YOU ENCOUNTER PROBLEMS

Most people who experience this weight loss system meet with complete, ecstatic success.

If you sense that your results should be different, remember that every human on this planet is distinct from every other and you are likely to react differently from anyone else to a given external stimulus. So if by some chance your rate of fat loss seems too slow, note this important fact:

Everyone loses fat at his or her own individual pace.

Just continue following the system and working out with your AB-DOer™ and your goals WILL be reached. You may simply be one of the few who are “slow reactors”. It may take a bit longer, but you WILL get there!

Also, you will want to make sure you’re maximizing your success by following the ENTIRE program outlined here. This is most important for anyone whose initial results may be slower in coming than others.

WHEN TO SEE YOUR DOCTOR

In general, see your doctor if any physical symptom or sign occurs that is unusual or makes you uncomfortable or worried in any way! Also, see the next chapter for special information regarding women and their special health considerations.

WOMEN; SPECIAL FACTS AND CONSIDERATIONS

Women have certain unique requirements that also vary with age. Here are some of those factors, and how they can impact on weight control.

SPECIAL NUTRITIONAL REQUIREMENTS

Food requirements are typically lower for women as compared to men. This latter point means that on average, women must eat less food in order to maintain their weight as compared to men.

After adjustment for weight, women often need more vitamin B6, folic acid, calcium, magnesium, and iron than do men. Women also often require more EFAs (Essential Fatty Acids).

THE BODY

Women naturally have more body fat, measured as a percentage of total body mass, than do men. Often this fat is distributed in undesired places. Regardless of what we think of it, this is nature’s reality. For most women, it is unnatural and nearly impossible to attain the ultra-thin appearance of professional models. It is best not to try. Maximize the body you were born with with your new weight control system, but do not try to accomplish that which is unhealthy.

PREGNANCY

Pregnancy is not a time to try to lose weight, however it’s important to stay in good physical condition during a normal pregnancy and to watch your weight gain. The AB-DOer is a wonderful way to achieve this as it provides a safe, non-impact workout. Talk to your doctor first and follow his or her advice regarding your activity level, your nutritional status, and other health-related issues.

AB-DOer™

Owners Manual & Nutritional Guide

This Product is Brought to You by

THANE *Fitness*®

www.thanefitness.com

REV 8/00