

360° Spinner-Vac™



User's Guide



Distributed by:

Thane Canada Inc.
Mississauga ON L4W 5M6,
Canada
www.thane.ca

TVINS
211 18 Malmö, Sweden
www.tvins.com

Thane USA, Inc.
Canton OH 44718, U.S.A.
www.thane.com

Thane Direct UK Ltd
London EC1Y 8NA, UK
www.thane.tv

Operadora Ainoa, S.A.P.I. DE C.V.
Ejercito Nacional 423-1, C.P.
11520, México. D.F.
www.mejorcompratv.com

Danoz Direct Pty Ltd
Alexandria NSW 2015, Australia
www.danozdirect.com.au

© 2017 Thane IP Limited.
MADE IN CHINA

"Thane" and related logos and variations are trademarks or registered trademarks,
in Canada and/or other countries, of Thane IP Limited and/or its affiliated companies.

"360° Spinner Vac™" used under license

Spinnervac360cordless MNL ENG R0 170613

Thank You

Thank you for buying the 360° Cordless Spinner Vac™. Please read the instruction manual carefully before using. Product images are for reference only. Models may vary.

Table of Contents

General electrical safety	04
General use	05
Battery safety	05
Key Features	07
Unit Assembly / Charging	08
Using Spinner Vac	09
Emptying the dust cup	10
Cleaning the filter	11
Cleaning the brush roll	12
Troubleshooting Guide	13

READ ALL INSTRUCTIONS BEFORE USE

IMPORTANT SAFETY INSTRUCTIONS

When using an electrical appliance, basic safety precautions should always be observed, including the following:

General Electrical Safety

WARNING: TO REDUCE THE RISK OF ELECTRIC SHOCK OR INJURY DO NOT USE OUTDOORS OR ON WET SURFACES.

1. DO NOT use or charge the unit outdoors and on wet surfaces.
2. DO NOT immerse vacuum cleaner or charging adapter in water or other liquids.
3. DO NOT handle vacuum or charging adapter with wet hands.
4. DO NOT use the charging adapter if damaged.
5. Unplug from the electrical outlet when not in use and before servicing.
6. DO NOT use charging adapter with an extension cord. Plug adapter directly and only in a standard (120V, 60HZ) electrical outlet.
7. DO NOT attempt to use this charging adapter with any other product nor attempt to charge this product with another charging adapter.
8. Keep charging adapter away from heated surfaces.
9. Only use charging adapter provided with the 360° Cordless Spinner Vac™.
10. DO NOT let children play with the appliance; supervise children using or maintaining the appliance.

General Use

11. Use only on dry, indoor surfaces.
12. Use only as described in this manual.
13. Keep your work area well lit.
14. Keep the vacuum moving over the carpet surface at all times to avoid damaging the carpet fibers.
15. DO NOT use without dust cup and/or filter in place.
16. DO NOT put any objects into openings.
17. DO NOT place vacuum cleaner on unstable surfaces such as chairs or tables.
18. DO NOT pick up hard or sharp objects such as glass, nails, screws, or coins that could damage the vacuum cleaner.
19. DO NOT pick up anything that is flammable, burning or smoking.
20. DO NOT vacuum up any liquids.
21. DO NOT run the vacuum over large-sized objects.
22. Keep hair, face, loose clothing, fingers, and all body parts away from openings and moving parts.
23. Close attention is necessary when used by or near children.
24. DO NOT immerse vacuum cleaner in water or other liquids.

Battery Safety

25. This appliance includes Li-Ion batteries; DO NOT incinerate batteries or expose to high temperature, as they may explode.
26. Liquid rejected from the battery may cause irritation or burns.
27. Leaks from the battery cells can occur under extreme conditions. Do not touch any liquid that leaks from the battery. If the liquid gets on the skin, wash immediately with soap and water. If the liquid gets into the eyes, flush them immediately with clean water for a minimum of 10 minutes and seek medical attention. Wear gloves to handle the battery and dispose of immediately in accordance with local regulations.

28. In an emergency situation, please contact professional help immediately!
29. Shorting the battery terminals may cause burns or fire.
30. When the battery pack is not in use, keep it away from paper clips, coins, keys, nails, screws or other small metal objects that could make a connection from one terminal to another.
31. The battery must be removed from the appliance before the appliance is discarded.
32. Batteries should be recycled or disposed of safely. Consult you local authority for proper disposal.

WARNING

Use your 360° Cordless Spinner Vac™ only as directed in this manual and only with the manufacturer's recommended accessories. Use of attachments or accessories not provided or sold by the manufacturer or by authorized resellers may cause fire, electric shock or injury.

NOTE

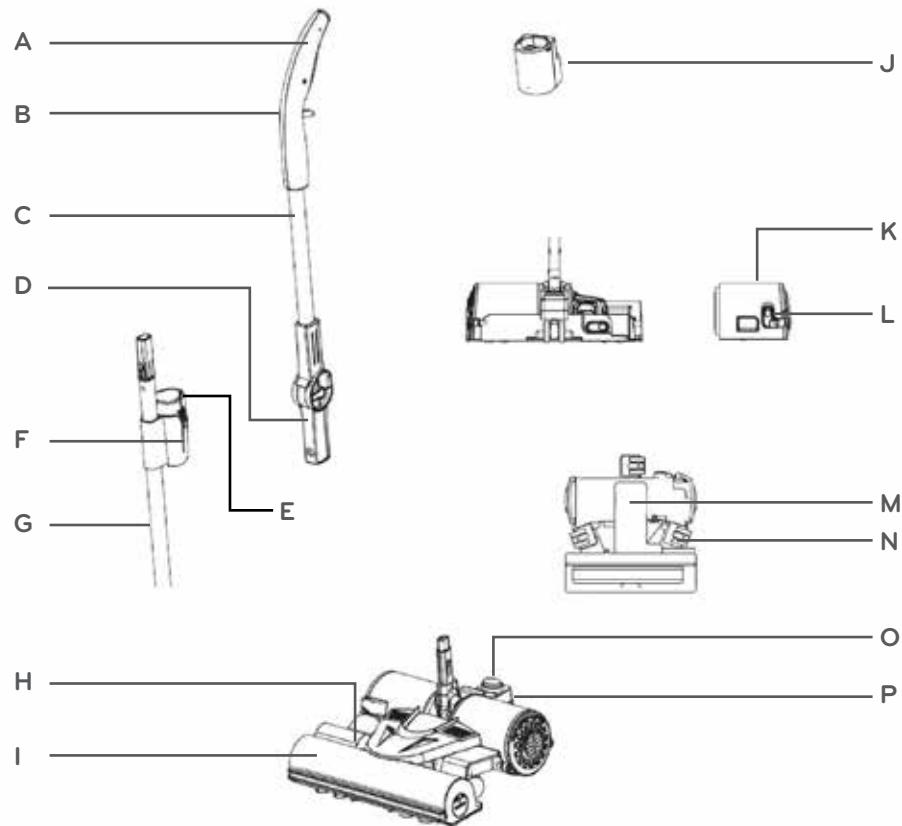
This unit has been tested and found to comply with Part 15 of the FCC Rules.

SAVE THESE INSTRUCTIONS

FOR HOUSEHOLD USE ONLY

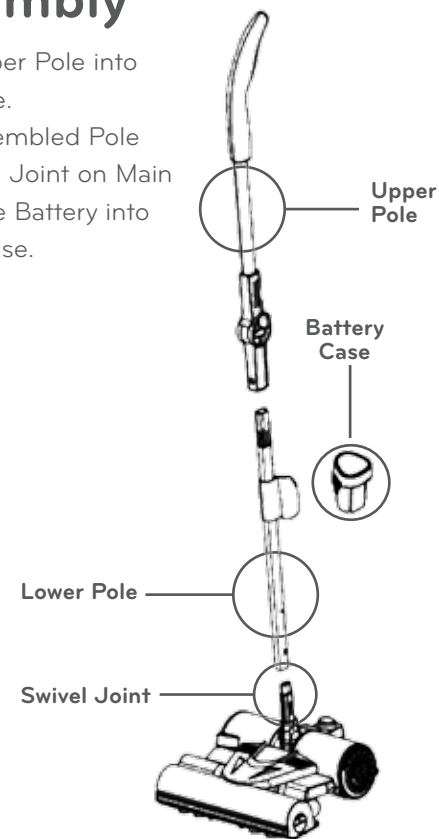
Key Features

- A - Handle
- B - Elbow Release Trigger
- C - Upper Pole
- D - Elbow Joint
- E - Battery
- F - Battery Case
- G - Lower Pole
- H - Main Unit
- I - LED Light
- J - Battery Charger
- K - Dust Cup
- L - Dust Cup Door Button
- M - Detachable Slider Board
- N - Wheel
- O - Power Switch
- P - Motor



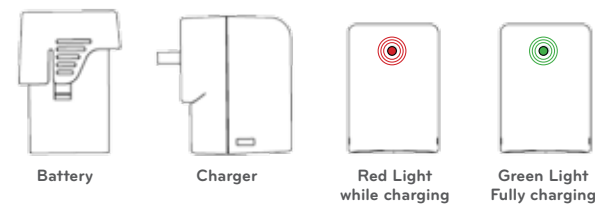
Unit Assembly

1. Insert the Upper Pole into the Lower Pole.
2. Insert the assembled Pole into the Swivel Joint on Main Unit. Insert the Battery into the Battery Case.



Charging

1. The Battery will fit into the Battery Charger only one way.
2. Charge the Battery for 4 hours before using the 360° Cordless Spinner Vac™ for the 1st time.
3. The RED light will turn on while the Battery is charging. When the charge is complete, the light is GREEN.
4. If the charging light does not illuminate, ensure that the Battery Charger is plugged in properly to the outlet.



Using the 360° Cordless Spinner Vac™

Use the appliance to clean all types of flooring including - tiles, hardwoods and carpets.

1. With foot, depress the **POWER BUTTON** once to turn on and once again to turn off.
2. The LED light will be illuminated when using. When it goes dim, please recharge the Battery.
3. To release and unlock Elbow Joint for low profile cleaning simply pull back once on Elbow Release Trigger.
4. To return to the original position, simply lift the Pole up straight and the Elbow Joint will lock automatically.

TIP:

- Rotate the handle which will rotate the vacuum to allow for cleaning in every direction.
- Pull the Elbow Release Trigger to bend the Elbow Joint for cleaning under furniture.

NOTE:

Depending on the flooring surface to be cleaned the approximate run time for the 360° Cordless Spinner Vac™ will be 20-25 mins .



Emptying The Dust Cup

1. To maintain the best performance of the 360° Cordless Spinner Vac™, empty the Dust Cup after every use.
 1. Turn off the 360° Cordless Spinner Vac™ before removing the Dust Cup.
 2. Press the Dust Cup release button (fig. 1) and pull out the Dust Cup (fig. 2).
 3. Holding the Dust Cup, place the Dust Cup inside a trash receptacle. Press the Dust Cup Release Button to open the Dust Cup door and release dust and debris (fig.3).
 4. Snap the Dust Cup door back in place.

TIP:

For rapid emptying during use, first shut unit off and then lift vacuum head over trash receptacle. Tilt vacuum with Dust Cup side down and press button nearest to the Dust Cup door to release dirt and debris. Close Dust Cup door before returning unit to the flooring surface (fig.1).

Fig.1

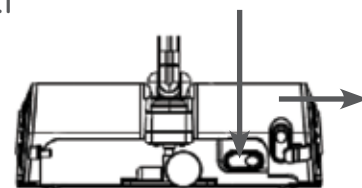


Fig.2

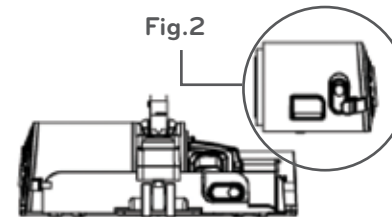
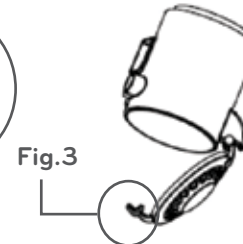


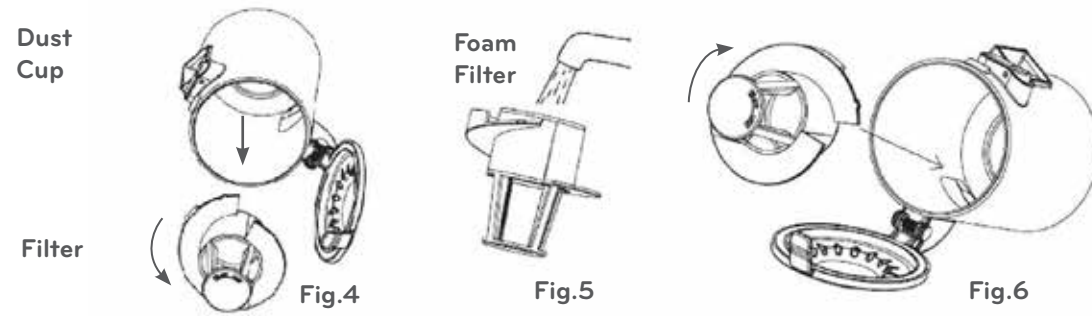
Fig.3



Cleaning The Filter

To maintain strong suction, it is important to clean the filter monthly, under normal use.

1. Turn off the vacuum and remove the Dust Cup.
2. Remove the filter from the Dust Cup by grasping the filter and rotating counter-clockwise and then pulling the filter straight out (Fig 4).
3. Remove all loose debris from outside of the filter and then rinse under water. Let air dry for 24 hours before replacing. (Fig. 5)
4. DO NOT use a hair dryer or other forced hot air to dry the filter.
5. When replacing the filter line up arrows (Fig. 6) and slide filter straight in and then rotate filter clockwise 1/4 turn to lock in place.
6. DO NOT operate the vacuum without the filter in place.
7. DO NOT operate the vacuum with a wet filter.

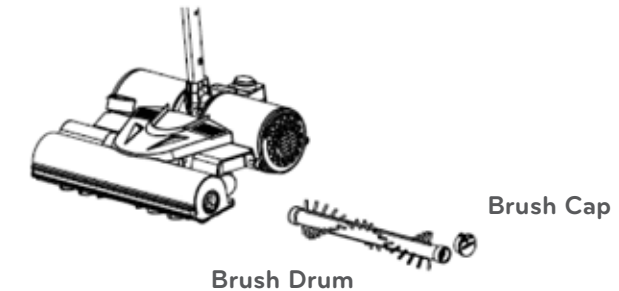


Cleaning The Brush Roll

An accumulation of hair, string and other debris may sometimes become lodged in the air hose of the brush, in the air inlet of the dust cup or wrapped around the brush roll. These areas must be free from debris for maximum cleaning performance. To clear blockages and clean the brush roll:

1. Ensure the vacuum is off and the battery is out of the unit.
2. Remove anything wound around the brush by carefully cutting off hair and strings attached to the brush drum. Avoid damaging or cutting the bristles.
3. Use a flashlight to inspect inside the air duct at the bottom of the main body and remove any debris or blockages that may be there.
4. For easier cleaning, the brush roll can be removed. Using a coin, turn the dial next to the brush roll to the unlock position. Remove the brush roll from the vacuum (fig. 7) and clean.
5. Reinsert the brush roll in the vacuum turn the dial to the locked position.

Fig.7



Troubleshooting Guide

PROBLEM	SUGGESTED SOLUTION
VACUUM WILL NOT OPERATE	<ul style="list-style-type: none">• Charge battery following instruction on "Charging"• Check the battery and battery case for damage.• Check the lower pole to see if inserted correctly.• Remove any string from the brush roll.• If brush roll jam safety switch has been activated shut unit off for 30 seconds and then turn on again.• Turn the unit off if the vacuum overheats. Allow the unit to cool for a minimum of 45 minutes.
VACUUM WILL NOT PICK UP	<ul style="list-style-type: none">• Empty dust cup and make sure it's inserted properly back into unit.• Make sure that the brush roll was inserted in corrected position and the opener is closed tightly.• Clean the filter. If it is damaged, please order replacement.• Clean the holes in the filter house and check for blockage
BATTERY WILL NOT CHARGE	<ul style="list-style-type: none">• Check the plug and charger connections.• Check the charge to see if the light is On when charging.
VACUUM IS NOT SLIDING WELL ON THE FLOOR	<ul style="list-style-type: none">• Check if the wheels are tangled with carpet fiber, hair or other objects.• Check the slider board. If it is damaged, please order replacement.